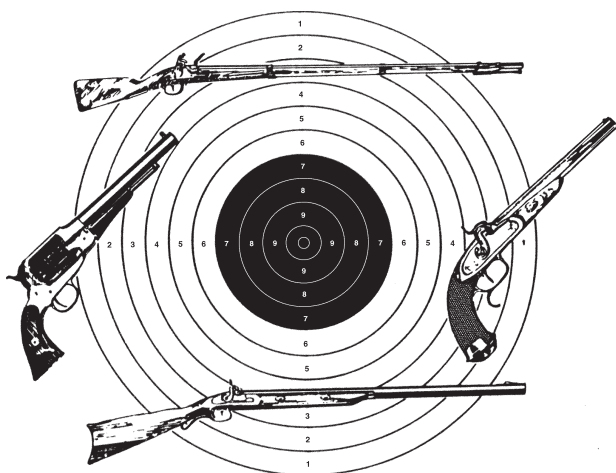


NRA®

MUZZLE LOADING RIFLE, PISTOL AND SHOTGUN RULES



Official Rules and Regulations
to govern the conduct of all
NRA Muzzle Loading Rifle, Pistol
and Shotgun Competitions

**NATIONAL RIFLE ASSOCIATION
OF AMERICA**

**11250 Waples Mill Road
Fairfax, Virginia 22030
<http://competitions.nra.org/>**

REVISED JANUARY 2025

NOT OFFICIAL
WITHOUT THIS SEAL



**OFFICIAL
COMPETITION**

SAFETY
IS YOUR BUSINESS!
READ THE RULES

These rules provide for the efficient and orderly operation of a tournament. But *that's not all*. Many local range regulations exist for one reason alone **SAFETY**. Others serve a dual purpose, smooth range operation and **SAFETY**.

It's your responsibility as a competitor or as a tournament official to be familiar with the rules and to know the meaning behind those which are safety oriented.

NRA GUN SAFETY RULES

The fundamental NRA rules for safe gun handling are:

- **ALWAYS** keep the gun pointed in a safe direction.
- **ALWAYS** keep your finger off the trigger until ready to shoot.
- **ALWAYS** keep the gun unloaded until ready to use.

When using or storing a gun, always follow these NRA rules:

- Be sure the gun is safe to operate.
- Know how to safely use the gun.
- Use only the correct ammunition for your gun.
- Know your target and what is beyond.
- Wear eye and ear protection as appropriate.
- Never use alcohol or drugs before or while shooting.
- Store guns so they are not accessible to unauthorized persons.

Be aware that certain types of guns and many shooting activities require additional safety precautions.

To learn more about gun safety, enroll in an NRA safety training or basic marksmanship course, NRA hunter clinic or state hunter education class.

Shooters Read:

Eye Protection	3.19
Loaded Firearms	10.1.3
Muzzle Direction	10.1.8
Safe Condition	10.1.11

Range Operators Read:

Competition Regulations and Range Operations . . .	Sec. 9
Range Control	Sec. 10
Tournament Officials	Sec. 11

TABLE OF CONTENTS

	PAGE
APPROVED AND REGISTERED TOURNAMENTS	iv
Sec. 1. NRA COMPETITION	1
Sec. 2. ELIGIBILITY AND CATEGORIES OF COMPETITORS	4
Sec. 3. EQUIPMENT AND AMMUNITION	5
Sec. 4. TARGETS	10
Sec. 5. POSITIONS	11
Sec. 6. RANGE STANDARDS	12
Sec. 7. COURSES OF FIRE	13
Sec. 8. TIME LIMITS	15
Sec. 9. COMPETITION REGULATIONS	15
Sec. 10. RANGE COMMANDS, CONTROL AND OPERATIONS	18
Sec. 11. TOURNAMENT OFFICIALS	21
Sec. 12. TEAM OFFICER'S DUTIES AND POSITION	25
Sec. 13. PHYSICALLY DISABLED SHOOTERS	25
Sec. 14. SCORING AND MARKING	26
Sec. 15. DECISION OF TIES	28
Sec. 16. CHALLENGES AND PROTESTS	30
Sec. 17. NATIONAL RECORDS	31
Sec. 18. COMPETITORS' DUTIES AND RESPONSIBILITIES	34
Sec. 19. CLASSIFICATION	35
Sec. 20. NRA OFFICIAL REFEREE	39
Sec. 21. NRA COMPETITION PROGRAMS	41
GENERAL REGULATIONS FOR NRA SANCTIONED TOURNAMENTS	42
GLOSSARY	47
INDEX	48

APPROVED AND REGISTERED TOURNAMENTS

Application forms for both types of Sanctioned Tournaments may be obtained from the NRA. Official application for approval to conduct an NRA Approved or Registered Tournament must be made to the Competitions Division. The deadline, in advance of firing date, for receipt of the completed application forms and programs is 30 days for Approved and 45 days for Registered Tournaments. In order to obtain publicity in the "Coming Events" columns of *Shooting Sports USA*, dates must be sanctioned by NRA two months before the month of issue. (See General Regulations for *Shooting Sports USA* deadlines.)

A Registered Tournament is the more formal of the 2 types. Differences between the 2 types of competitive tournaments are:

	Approved	Registered	Sanctioned League	Rule
Scores used for classification	Yes	Yes	Yes	19.4
Scores used for National Records	No	Yes	No	17.5
NRA registration fee per competitor (remitted after the tournament is fired). This is explained in sponsor's packet.	Yes	Yes	\$7.00	Gen. Reg. A7, B7
Minimum number of shots required	No	Yes	No	Gen. Reg. A5, B5
Competitors must be NRA members	No	Yes	No	Gen. Reg. 1.6(d) 1.6(e)
NRA classification or category system must be used	Optional	Yes	No	Gen. Reg. A5, B5

NRA Membership Number is required for classification purposes in all NRA Sanctioned Tournaments. Should a competitor not be an NRA member, he will be assigned a special number which allows his scores to be entered into the computer.

	Approved	Registered	Sanctioned League	Rule
Fixed award schedule	No	Yes	No	Gen. Reg. A6, B6
Tournament officials competing	Yes	No	Yes	11 Gen. Reg. A8, B8
Official Referee assigned by NRA	No	Yes Exception: Sponsor assigns 3-man Jury for tournaments below State Championship.	No B9	11.2.1 Gen. Reg.
Sponsor required to furnish each competitor with Official Bulletin	No	Yes	No	Gen. Reg. B12
Program prepared and distributed by sponsor	Yes	Yes	Yes	21 & Gen. Reg. A2, B2

NATIONAL RIFLE ASSOCIATION OFFICIAL RULES FOR MUZZLE LOADING RIFLE, PISTOL AND SHOTGUN MATCHES

These Rules establish uniform standards for NRA sanctioned Muzzle Loading Competition. Where alternatives are shown, the least restrictive conditions apply unless the tournament program sets forth limitations. They supersede all earlier editions and remain in effect until specifically superseded.

Tournament sponsors may not alter these Rules. If sponsors require additional rules for special conditions, the additions must be fully set forth in the program for the competition concerned.

The arrangement and Rule numbering systems are such that corresponding Rules for other types of NRA competition are correspondingly located and numbered in the Rule Books for those competitions. Gaps in the sequence of Rule numbers result from there being a Rule in one or more of the other Rule Books which does not apply in this book.

Anyone wishing to submit recommendations for Rules changes may forward those recommendations to the Black Powder Committee in care of the National Rifle Association.

Note: Rules in which major changes have been made since publication of the previous Rules Book are marked thus: (1.1). Rules in which major changes have been made are as follows:

1. NRA COMPETITION

1.0 NRA Competition - Competition which is authorized in advance of firing by the National Rifle Association. The program, range facilities and officials must comply with standards established by the NRA. The types of tournaments which are Sanctioned are listed in Rule 1.6.

1.1 Sanctioned Tournament - A series of matches covered by an Official Program. Such matches may be all individual matches, all team matches, or a combination of both which must be conducted by an NRA Affiliated Club or organization. They may be all fired matches or a combination of fired and aggregate matches. A tournament may be conducted on one day, on successive days, or may provide for intervening days between portions of the tournament, such as tournaments programmed to be conducted over more than one weekend.

1.2 Authorization - Before being publicized in programs or otherwise, the sponsoring organization of each type of competition mentioned in Rule 1.6 shall have agreed to comply with the current regulations for such competition and shall have received notice from the NRA that the competition applied for has been authorized.

1.3 Rules - The sponsor for each type of competition must agree to conduct the authorized competition according to NRA Rules, except as these rules have been modified by the NRA in the General Regulations for that type of competition.

1.4 General Regulations - The sponsor of each type of competition must agree to comply with the General Regulations published by the NRA for the competition concerned. See Appendix in back of this Rule Book.

1.5 Refusal or Withdrawal of NRA Authorization - The NRA may refuse to authorize or may withdraw its authorization for any competition which cannot, or does not comply with the requirements for that competition.

1.6 Types of Tournaments - The types of tournament listed below are those which are sanctioned by NRA in its competitive shooting program.

- (a) *International Matches* - Muzzle Loading Association International Committee (MLAIC) Zone and World Championships held in the USA, recognized by the NRA and arranged with the recognized national shooting organization(s) of the countries concerned by the United States International Muzzle Loading Committee (USIMLC). The officials thereof are appointed by the NRA and the Chairman of the USIMLC. MLAIC, USIMLC and NRA Records may be set.
- (b) *International Team Tryouts* - Are U.S. tournaments conducted under MLAIC Rules, with the approval of the USIMLC, as Final Tryouts for the selection of International Team members. The officials thereof to be appointed or approved by the NRA and the Chairman of the USIMLC. These tournaments will be registered. NRA National Records may be set.
- (c) *Muzzle Loading Team Tryout (MLTT)* - These matches will be used to provide qualifying scores for U.S. International Muzzle Loading Team consideration. Only Tournaments including MLAIC courses of fire can qualify as acceptable for MLTT's. The words "Muzzle Loading Team Tryout" must appear in the tournament name. Only muzzle loading firearms defined as "USIMLC International" are allowed in the MLTT matches. These tournaments will be Registered. NRA National Records may be set. (See Section 3 and Appendix D.)
- (d) *National Championships* - Organized by the NRA. NRA Conventional and USIMLC International firearms are allowed in these type of tournaments. These tournaments will be Registered. NRA National Records may be set.
- (e) *Regional Championships* - Arranged between the NRA and a local sponsoring organization. NRA Conventional and USIMLC International firearms are allowed in these type of tournaments. These tournaments will be Registered. NRA National Records may be set.
- (f) *State Championships* - Annual tournaments authorized and/or conducted by State Rifle and/or Pistol Associations affiliated with the NRA. Such State Associations may, if desired, authorize local organizations to sponsor and conduct State Championships. In states where there is no NRA affiliated State Association, the NRA may authorize a local organization to sponsor the State Championship. NRA Conventional and USIMLC International firearms are allowed in these type of tournaments. These tournaments will be Registered. NRA National Records may be set.
- (g) *Registered Tournaments* - May be authorized by the NRA after application has been filed by the local organization that will act as the sponsor. Application forms are available from NRA on request. National records may only be established in Registered Tournaments. (See Rule 17.1)
- (h) *Approved Tournaments* - May be authorized by the NRA after application has been filed by the local organization that will act as the sponsor. Application forms are available from NRA on request. Match Sponsors may require all competitors to be NRA members if specified in the program.
- (i) *Sanctioned Leagues* - (shoulder-to-shoulder or postal) May be authorized by the NRA after application has been filed by a local group or organization. Application forms are available from NRA on request. Sanctioned League scores are used for classification. A League need not be operated by an Affiliated Club or Organization.
- (j) *Postal Matches* - Organized by the NRA and publicized to groups concerned through *Shooting Sports USA* announcements and special mailings.
- (k) *Special Tournaments* - May be sanctioned by NRA for types of shooting not otherwise a part of the NRA program.

- (l) *State and Senior Games* - Tournaments which are part of the State and Senior Games program. Such tournaments are not charged fees, nor will any scores fired be used for classification. A simplified sanctioning procedure may be used, and they will be listed in Coming Events with the only contact being the State Coordinator.

1.7 Types of Matches -

- (a) *Match* - A complete event as indicated in the program for the awarding of certain specific prizes. A match may consist of one or several stages. It may, in the case of aggregate matches, include the scores fired in several subsidiary matches.
- (b) *Stage* - A portion of a match which consists of one or more strings fired in one position, distance or time allowance.
- (c) *Open Match* - A match open to anyone, except, that if so stated in the program, an open match may be limited to one or any combination of the following: (a) United States citizens; (b) members of the National Rifle Association of America; and/or (c) with respect to non-U.S. citizens, persons who are members in good standing of their respective national federations or associations. (See Rule 2.1.1.)
- (d) *Restricted Match* - A match in which competition is limited to specific class, i.e., Masters, Experts, Sharpshooters, Marksmen, etc.
- (e) *Classified Match* - A match in which awards are given to the winners and the highest competitors in several specified classes, such as Masters, Experts, Sharpshooters, and Marksmen. The classification of competitors may be accomplished by the National Classification System (Sec. 19) or by other means. The program for classified matches must specify the groups or classes in which awards will be made.
- (f) *Invitational Match* - A match in which participation is limited to those who have been invited to compete.
- (g) *Squadded Individual Match* - A match in which each competitor is assigned a definite relay and target by the Statistical Office. Failure to report on the proper relay or firing point forfeits the right to fire. All entries must be made before firing commences in that match, except when otherwise stated in the tournament program.
- (h) *Unsquadded Individual Match* - A match in which the competitor is not assigned a definite relay or target by the Statistical Office. The competitor reports to the Range Officer within the time limits specified in the program and is then assigned to a target and a relay in which to fire.
- (i) *Re-Entry Match* - A match in which the competitor is permitted to fire more than one score for record; one or more of the highest scores being considered to determine the relative rank of competitors. Scores fired in these matches shall not be used for classification purposes.
- (j) *Squadded Team Match* - A match in which the teams are assigned a definite time to fire. Teams may be assigned one or more adjacent targets. All entries must be made before firing commences in that match. The entire team must report and fire as a unit.
- (k) *Unsquadded Team Match* - A match in which the teams may report at the firing line at any time within the limits specified in the program, targets being assigned by the Range Officer. The entire team must report and fire as a unit, unless the program provides otherwise.
- (l) *Aggregate Match* - An aggregate of the scores from two or more matches. This may be an aggregate of match stages, individual matches, team matches, or any combination, provided the tournament program clearly states the matches which will comprise the aggregate. Entries in aggregate matches must be made before the competitor commences firing in any of the matches making up the aggregate match.

PUBLIC AFFAIRS

All tournament sponsors are urged to give special consideration to the needs of the news media personnel in order to achieve maximum publicity for the competition. Public news media personnel representing print and/or broadcast should be given every consideration and cooperation in keeping with the proper conduct of the competition.

2. ELIGIBILITY AND CATEGORIES OF COMPETITORS

Eligibility of Competitors - The conditions of a match shall prescribe the eligibility of competitors, teams or individuals, in accordance with Rule 1.6 and/or the definitions contained in Section 2. Any limitation of eligibility to compete must be stated in the match program.

INDIVIDUALS

2.1 Members of the National Rifle Assoc. - Any individual member, including Benefactors, Patrons, Endowment, Life, Annual, Associate, Non-Resident and Junior Members.

2.1.1 Non-U.S. Citizens - Non-U.S. Citizens may compete in any NRA Sanctioned Tournament, unless further restrictions are imposed by conditions stated in the program.

2.1.2 Categories and Special Awards - If there are sufficient number of competitors of a specific group (i.e., Woman, Junior, Senior), a Match Sponsor may establish a separate category for this group and provide an overall Special Award such as High Woman, High Junior, etc., and all competitors within this specific group would be eligible for this one Special Award. Details concerning categories and special awards must be clearly outlined in the tournament program.

2.2 - Blank

2.2.1 Senior - A person may compete as a Senior beginning on January 1, of the calendar year in which his or her 60th birthday occurs.

2.3 Junior - A person may compete as a Junior if they have not yet turned 21 at the time of match registration.

2.3.1 Intermediate Junior - A person may compete as an Intermediate Junior if they have not yet turned 16 at the time of match registration.

2.3.2 Sub-Junior - A person may compete as a Sub-Junior if they have not yet turned 12 at the time of match registration.

NOTE: Junior definitions comply with NMLRA rules.

2.4 - 2.6 - Blank

2.6.1 Military Veteran - Former military personnel, other active duty or reserve, in possession of any one of the following documents, Form DD214, retired military identification card are allowed to compete.

2.7 - 2.9 - Blank

TEAMS

2.10 Team Representation - No individual may be a team captain, coach, firing member, or alternate firing member on more than one team in any one match.

Note: Entries will be not accepted from “pickup” teams (teams whose members are selected without regard to club or other organization affiliation) unless the program specifically provides for such eligibility. Scores fired by pickup teams are not eligible for national records.

2.11 Club Teams - All team members, including team captain and coach, must have been active fully-paid members of the club which the team represents for a period of at least 30 days immediately prior to the competition. The club may be Affiliated with NRA. As specifically allowed by conditions of the program, a person who is not a club member may serve as a non firing coach of such a team. There are two types of teams allowed in this Rule:

2.11.1 Other Organizations - All members of such teams must have been fully-paid members of the organization the team represents for a period of at least 30 days immediately prior to the competition, and the organization must be affiliated with the NRA and in good standing.

2.12 State Association Teams - Members of State Association teams must be residents of the state represented. Members of such teams must be individual members of the State Rifle and/or Pistol Association represented, if such State Association provides for individual membership, or be members of a rifle and/or pistol club which is affiliated and in good standing with the State Association concerned at the time of the competition. State Association Teams permitted to enter the competition concerned by the tournament program conditions must be authorized and accredited by the State Association for that tournament. Authorization shall be signed by the State Association President, Vice President, or Secretary. Such State Association must be affiliated and in good standing with the NRA at the time of the competition. If specifically allowed by conditions of the program, a person who is not a State Association member may serve as the coach of a State Association Team but may not be a firing member.

Note: Teams representing State Association, Leagues and other associations (composed of more than one club) are not club teams. Such teams may enter NRA sanctioned matches only when the program specifically authorizes such entry.

2.13.1 Military Veterans Teams – Former military personnel, including Team Captains and firing Coach, other than active duty or reserve, in possession of any one of the following documents; Form DD214, retired military identification card are allowed to form a legal team and compete.

2.14 - 2.19 - Blank

2.20 Residence - In those matches which are limited to residents of any specified geographical area a “resident” is defined as:

- (a) A person who presents photo identification, issued by a government entity, which shows a residential address within the specific geographical area.
- (b) Military Personnel: The place of residence of members of the Military on active duty is defined as the place at which they are stationed by reason of official orders, provided they have been so stationed within the specified area for a period of at least 30 days immediately prior to the day of the match.
- (c) Federal and State Law Enforcement Officers: The provisions of paragraphs (c) will apply.

3. EQUIPMENT AND AMMUNITION

“All equipment listed below is authorized; for specific equipment allowed in any given tournament refer to the tournament program.”

This section defines authorized equipment. Firearms used in United States International Muzzle Loading Team competition (rules 1.6 (a) to (c) inclusive) will be original or an exact reproduction of a known original, with

appropriate documentation. Any safe muzzle loading firearms may be used in NRA Conventional competition. Loading equipment may be made of modern materials but must be used in the traditional manner.

All repairs to firearms used in USIMLC International competition must be as originally made and contemporary to the period of manufacture. Modern materials such as fiberglass and epoxy compounds may be used as barrel bedding material in firearms configured for NRA Conventional competition. Only animal glue and sawdust may be used as barrel bedding material in firearms configured for USIMLC International competition, as was used by contemporary gunsmiths for repair.

3.1 Pistols and Revolvers -

- (a) NRA Conventional - Any safe muzzle loading pistol or percussion revolver is allowed.
 - (1) Open fixed or adjustable sights are allowed.
 - (2) Flintlock pistols may be of any caliber.
 - (3) Tournament sponsors may allow any sights, which may include optics.
- (b) USIMLC International - Any unaltered original or replica pistol or revolver, with contemporary sights, may be used. The following deviations and restrictions shall apply:
 - (1) Rifled single shot pistols must have sights contemporary to the 19th century; pinhead or narrow blade with a rounded top having a maximum width of 2.03mm (.080 in.) or narrow pyramid. Rear sights must have a "U" or "V" notch only. Patridge sights may not be used.
 - (2) The front sight of revolvers may be of any height necessary to group at 25 meters but profiles must be of the same style as the original.
 - (3) Rifling of replica revolvers must be of the original style.
 - (4) Original and replica flintlock pistols shall have a minimum bore of 11 MM (.433 cal.).
 - (5) Loading of revolvers shall be by cylinder, 5+5+3. (3 loading stages; 2 stages of 5 shots and 1 stage of 3 shots).
 - (6) Revolvers must be loaded by the loading lever attached to the firearm.

3.2 Rifles and Muskets -

- (a) Military Rifles (NRA Conventional or USIMLC International) – Any unaltered original or replica military rifle or musket manufactured in accordance with military pattern, with original pattern sights may be used. Military Rifles are to follow the original military patterns and have approximately the same specifications and tolerances. The following deviations and restrictions shall apply to replica military firearms:
 - (1) Limited minor alterations are permitted to the rear or front sight of military rifles, or to a spare blade or spare sight, not altering the original one, to adapt them to the ranges being fired. The configuration of the rear or front sight must be approximately the same as the original.
 - (2) Smoothbore flintlock muskets having rear sights are not permitted. Removal of an existing rear sight is not permitted.
 - (3) Set triggers, butt or cheek pads are not permitted on military rifles and muskets.

- (4) Bore diameter must be in excess of 13.5mm (.5315 cal.).
 - (5) Barrels of original firearms may not be bent to adapt them to distance being fired.
 - (6) Replica barrels used on original guns are forbidden “in USIMLC” competition.
 - (7) Sleeving of original barrel is forbidden in USIMLC competition.
- (b) Any traditional style (NRA Conventional) - Any safe muzzle loading rifle not qualifying for Military Rifle, with fixed or adjustable iron sights is allowed.
 - (1) Aperture sights, both front and rear, (including new made replicas) are permitted.
 - (c) Any non-traditional style (NRA Conventional) - Any safe non-traditional (in-line) muzzle loading rifle.
 - (1) Any sights are permitted.
 - (d) Any (USIMLC International) - Any original or replica rifles not qualifying for Military Rifle with contemporary sights (not telescope or optical). Rifling pitch and number of grooves should be as original, but depth can be different.
 - (1) Aperture sights, both front and rear, (including new made replicas) are permitted as long as they are consistent with the period of manufacture of the rifle.
 - (e) Bench Gun - (Heavy, Light and Squirrel) - Any safe muzzle loading rifle fired from a bench rest firing a patched round ball with the following additional restrictions:
 - (1) Heavy - no weight or caliber restriction, sight restriction up to tournament sponsor.
 - (2) Light - 14 lb. weight limit, no caliber restriction, sights as above
 - (3) Squirrel - 10 lb. weight limit, 40 caliber maximum, open sights may be adjustable
 - (f) Slug Gun - Any safe muzzle loading rifle fired from a bench rest with no limit to weight or caliber with a patched lead projectile (slug), any sights may be used and may have a sealed ignition system using rifle primers.

3.3 Matchlocks (NRA Conventional or USIMLC International) - Any original or replica matchlock musket or pistol may be used but must be in accordance with the following specifications:

- (a) Early Portuguese or Japanese: Designed with a cheekstock in place of a rear shoulder stock. Rear sight fitted with a narrow slot and the front sight is pyramid or vertical wedge. Replacement of these sights should follow these specifications.
- (b) European: Designed with shoulder stock and usually, for the military types, with a forked stick rest. This forked stick, however, is not permitted for use in competition.
- (c) Matchlock Pistols are shortened versions of matchlock muskets. Sight specifications are the same as for muskets.
- (d) The lighted end of the match is to be secured in a safety box and remain at the firing point and away from the loading bench during loading. When in position to fire, the match must be secured so as not to fly away when the firearm is discharged.

- (e) Relining of Japanese smoothbore matchlocks is permitted for safety reasons, as long as no alterations to the original outside appearance and historical characteristics occur. In International competition and Muzzle Loading Team Tryout Matches, relined matchlocks will only be permitted for Replica events.

3.4 Shotgun

- (a) NRA Conventional - Any safe muzzle loading flintlock or percussion, single or double barrel smoothbore shotgun may be used.
 - (1) Any gauge is permitted.
 - (2) Slip on pads are allowed.
 - (3) Both barrels of a double barrel shotgun may be used.
 - (4) Any choke is permitted.
- (b) USIMLC International - Any unaltered original or reproduction flintlock or percussion, military or civilian, single or double barrel smoothbore shotgun with contemporary sights may be used. Choked replicas are forbidden.
 - (1) Any gauge is permitted.
 - (2) Slip on pads made of leather or period materials, except rubber are allowed. Any other additions to the shotgun is forbidden.
 - (3) Only one barrel of a double barrel shotgun may be used and that same barrel must be used for the entire match.

3.5 - 3.6 - Blank

3.7 Sights -

- (a) Metallic
 - 1. Traditional - Period sighting system. Generally a post or blade front sight and a notch or leaf rear sight. Both sights may be adjustable or fixed.
 - 2. Non-Traditional - Modern sighting system of click adjustments and adjustable apertures without optics.
- (b) Telescopic - Any sighting system which includes a lens or system of lenses and an aiming reference or reticle at the focal plane of the lens or system of lenses.
- (c) Any - Any sights without restriction as to material or construction.

3.8 Spotting Scopes - The use of telescopes to read wind and spot shots is permitted.

3.9 Shooting Kits - Shooting kits may be brought to the Range during rifle, musket and matchlock events. The kit must be kept on the loading bench behind the firing line. Pistol shooting kits may be used on the firing line bench.

3.10 Ground Cloth - A ground cloth or ground pad may be used provided it is not constructed or used in a manner to provide artificial rest or support.

3.11 Gloves - Gloves may be worn which do not form artificial support.

3.11.1 Clothing

- (a) NRA Conventional - Allows common attire. No special clothing for shooting allowed except: shooting coats of cotton, cotton twill, khaki

or similar weight material which may have non-slip patches added to elbows and one shoulder.

- (b) USIMLC/International - All normal International (UIT) rifle or pistol clothing is permitted. (*Refer to NRA International Rifle or Pistol or UIT Rules for complete description.*)

3.12 Padding - Shoulder pads and elbow pads may be worn provided they are constructed so as not to provide artificial support.

3.13 Slings - Must be original or reproduction of an original type, typical of the era and contemporary to the firearm. Adjustable modern target type slings, as well as single point slings, are not permitted. Military slings are to be used on military type arms.

3.14 Palm Rest - must be original or reproduction of an original type and used on arms designed to have this accessory.

3.15 Cross Sticks - Cross sticks constructed of two wooden legs, no greater than 1 inch by 2 inches in thickness and width or 1-1/2 inches in diameter, and bolted or tied so that the two legs are hinged and capable of pivoting. The end of the legs may be equipped with spikes no more than 3 inches in length and no wider than the edge of the cross stick. They may be inserted into the ground by hand pressure only to aid in retention of an upright position. (*This may be waived by the Match Director to fit local conditions.*) One layer of protective material may be suspended or inserted in the "V" of the crossed sticks to protect the rifle. All cross sticks shall be certified. (NMLRA certified cross sticks will be accepted.)

3.16 Trigger Pull - All military long arms shall have a minimum trigger pull of 3 lbs. All other muzzle loading arms are required to have a safe, functional trigger.

3.17 Ammunition -

- (a) Powder: Factory-made sporting black powder or an approved replica thereof. A separate powder measure or holder will be used to carry the powder charge from container to the muzzle of the gun. Charging directly from horn or flask is unsafe and is not permitted. No priming powder flask is to contain more than 16 grams (250 grains U.S.) of powder. (*Note: Black Powder substitutes must be on the NMLRA or N-SSA approved list. Black powder substitutes are not legal in MLAIC or USIMLC competition and may not be used by any competitor firing in a Muzzle Loading Team Tryout.*)
- (b) Bullets: Bullets shall be of the following styles:
 - (1) Flintlock and matchlock: round ball only.
 - (2) Percussion rifled pistols: round ball only.
 - (3) Percussion revolvers: Any.
 - (4) Percussion Military Rifles: Original style Minie or swaged bullets.
 - (5) Percussion rifles: Any projectile is legal.
- (c) Funnels/loading tubes may be used in all competitions. Shot funnels, 4" or smaller, may be used in these matches to avoid spilling powder.
- (d) Cleaning wiping rods: may be used in all competitions.

3.18 General - All devices or equipment which may facilitate shooting and which are not mentioned in these rules, or which are contrary to the spirit of these rules, are forbidden. The Match Director, Official Referee, or Firearm Control Jury Chairman, shall have the right to examine a shooter's equipment or apparel. The responsibility shall be upon the competitor to submit questionable equipment and apparel for official inspection and approval in sufficient time

5. POSITIONS

Positions - The positions for use in a match shall be stated in the program under conditions of the match and shall be in accord with the definitions of positions prescribed in this section. Prone, kneeling and standing positions generally follow UIT Rules.

5.1 The Ground - All references to “the ground” in the following position rules are to be construed as applying to surface of the firing point.

5.2 Artificial Support - Artificial support is defined as follows:

- (a) Any supporting surface, except the ground, not specifically authorized for use in the rules for the position prescribed.
- (b) Any garment which can be interpreted as providing artificial support.
- (c) Other devices which can be interpreted as artificial support.

Use of artificial support is prohibited except as individually authorized for a physically handicapped shooter. (See Rule. 13.1.)

5.3 - 5.4 - Blank

5.5 Prone - The shooter may lie on the bare surface of the firing point or he may use a mat. A thick mat may also be used to rest the elbows. The body will be extended on the firing point with the head towards the target. The firearm will be supported by both hands and one shoulder only. The cheek may be placed against the rifle stock in the sighting position. The use of a sling is permitted if it is contemporary to the rifle. (See Rule 3.13). The rifle may not touch or rest against any other point or object. Both forearms and sleeves of the shooting jacket must be clearly and visibly raised from the surface of the firing point. The shooter’s forward forearm may not form an angle of less than 30 degrees from the horizontal (measured from the axis of the forearm). Left handed shooters reverse these descriptions.

5.6 Kneeling - The shooter may touch the ground with the right foot, the right knee and the left foot. The firearm will be supported by both hands and one shoulder only. The left elbow shall be supported on the left knee. The point of the elbow may not be more than 10cm (3.9 in.) over the point of the knee. The use of a sling is permitted if it is contemporary to the rifle. (See Rule 3.13). If the kneeling roll is placed under the instep of the right foot, the foot may not be turned at an angle of more than 45 degrees. If the kneeling roll is not used, the foot may be positioned at any angle to include placing the side of the foot and the lower leg in contact with the ground. No portion of the upper leg or buttock may touch the ground at any point. The shooter may kneel completely on the ground cloth or he may have only one or two of the three points of contact (toe, knee, foot) on the ground cloth. Only the trousers and underclothing may be worn between the shooter’s seat and his heel. The jacket or other articles may not be placed between these two points or under the right knee. Left handed shooters reverse these descriptions.

5.7 Sitting - Weight of the body supported on the buttocks and the feet or ankles, no other portion of the body touching the ground. The firearm will be supported by both hands and one shoulder only. Arms may rest on the legs at any point above the ankles.

5.7.1 Sitting with Cross Sticks - Weight of the body supported on the buttocks and the feet or ankles, no other portion of the body touching the ground. In addition to the crossed sticks, the rifle may be supported by one or both hands and one shoulder only. Arms may rest on the legs at any point above the ankles. At the shooters option, one hand may be used to hold the rifle in the “V” of the cross sticks.

5.8 Standing -

- (a) Rifle - The shooter shall stand free with both feet on the ground or on a thin mat without any other support. The rifle shall be held with both hands and the shoulder, the cheek and the part of the chest next

to the right shoulder. The rifle must not be supported by the jacket or chest beyond the area of the right shoulder and right chest. The left upper arm and elbow may be supported on the chest or on the hip. In the free rifle events, a palm rest may be used in this position. The use of a sling is permitted if it is contemporary to the rifle. (See Rule 3.13.) Left handed shooters reverse these descriptions.

- (b) **Pistol** - The shooter must stand free, without support, completely within the firing point. The complete firearm must be held and fired with one hand only. The wrist must be visibly free of support. Bracelets, wrist watches, wrist bands or similar items which might provide support are prohibited on the hand and arm which hold the firearm.
- (c) **Shotgun** - The shooter must stand free in the proper station for the bird being called. At the shooter's option, the shotgun may be shouldered or held free from the body.

5.9 Any - Any safe shooting position, including the back rest position, except bench rest. When using the back rest position, the shooter is allowed to support the head with one hand that can touch the surface of the firing point or the shooting mat. No portion of the shooter's body or shooting rest may be placed ahead of the firing line during the relay. No part of the rifle, supporting hand or sling may touch the surface of the firing point or shooting mat while firing the shot. While firing with crossed sticks, the shooter's hand may support the butt of the rifle. While firing with a sand bag, the shooter's hand must be placed and remain between the rifle and the rest as the shot is fired. (See Rule 5.2).

5.10 Bench Rest - The barrel may be rested on the bench as its only point of contact. The butt stock must be supported by the shooter for aiming and firing. Shooting jackets and gloves are permitted. The shooter may sit on a stool that is attached to the bench or free standing. (Any bench rest match may be fired from any other shooting position described in these rules.)

6. RANGE STANDARDS

6.1 Firing Line - The firing line is immediately in front of the firing points. All ranges are measured from this firing line to the face of the targets when targets are hung in their proper firing position.

6.2 Firing Point - The part of the range provided for the competitor immediately in the rear of the firing line from which firing takes place. Each firing point should have a minimum width of 4 feet.

6.2.1 Safety Shields - During flintlock events, protection for the competitors from flash pan debris shall be provided.

6.3 Shelter - The firing points of outdoor ranges may be covered. There must be ample room for Range Officers, Block Officers, and witnesses to move freely to the rear of the shooters. This does not preclude the construction of ranges within areas surrounded or partially surrounded by safety walls.

- (a) A shelter to allow shotgun participants to store equipment when not in use and to give shelter during inclement weather should be provided.

6.4 Firing Distances - 25, 50, 100, and 200 meters or yards (See Rule 4.)

6.5 Illumination - Artificial illumination of ranges is authorized.

6.6 Target Numbers - Target frames shall be numbered on alternating background of contrasting color. The numbers shall be large enough to be identified under ordinary light conditions. Numbers must correspond with the firing point numbers. Target numbers shall be fixed in position so as to remain visible when the targets are exposed and when concealed.

6.7 Types of Target Frames - Target frames shall be made of material that will not cause ricochets.

- (a) Outdoor-type fixed frames may be used. Frames which rotate on a vertical or horizontal axis may be used. Not more than two record targets for each competitor will be in a firing position at one time.
- (b) Target carriers shall be at the same height for all events.

6.8 Loading Tables - Loading tables will be provided behind the firing line for rifle and pistol competitors and a few meters behind the shotgun stands.

6.8.1 Forward Table - During pistol events, a forward bench or stand from which to prime or cap and shoot may be provided.

6.9 Range Safety Flag - A red flag visible from the firing line will be displayed when firing is in progress.

6.9.1 Wind Flags - Wind flags may be displayed at various distances between the firing line and the targets so as not to interfere with another competitor or the safe conduct of the tournament. Wind flags, however, are not allowed in USIMLC or MLAIC competition and will not be allowed to be used by any competitor firing in a Registered MLTT Match.

6.10 - Blank

6.11 Shotgun Events -

- (a) Conventional Shotgun - May be held on ATA fields at 10, 16 or 20 yards.
- (b) USIMLC Shotgun - During shotgun events, the shooting stands shall be the same height as the top of the launcher room. Shotgun shooting stands shall be marked by a square or circle approximately 70cm (27") wide.
 - (1) Flintlock shotgun - 3 stands at 5 meters from the point of intersection of the flight of the clay target with the stand level. (60° left, center, 60° right.) See drawing on inside rear cover.
 - (2) Percussion Shotgun - 5 stands at 8 meters from the point of intersection of the flight of the clay target with the stand level. (70° left, 35° left, center, 70° right). See drawing on inside rear cover.
 - (3) When possible, a Phone Pull microphone system shall be used.
 - (4) Position of Launcher to be marked, at stand level, in clear view from all stands.
 - (5) The launcher is to be set to throw in line with center at a distance of 60 meters (+/- 5 m) passing at 2 meters height from stand level at 10 meters from the point of intersection of the flight of the clay target with the stand level.
 - (6) Malfunction of the launcher is to be reported to Range Officer, who will decide whether to change launcher, go on, or stop the event.

7. COURSES OF FIRE

The following courses and types of fire are suggested for NRA sanctioned Muzzle Loading Rifle, Pistol and Shotgun competition, fired on standard targets described in Section 4. See Section 8 for time allowances and Rule 19.5 for courses of fire used for classification.

Other courses of fire, other time limits, or the use of other targets, may be scheduled by sponsors provided the conditions are clearly stated in the program.

Note: Only the courses of fire indicated as “USIMLC” may be used in MLAIC Matches, USIMLC Team Tryouts and Muzzle Loading Team Tryouts. (Rule 1.6 a to c)

7.1 Percussion Rifle, Flintlock Rifle and Musket (NRA Conventional) -

- (a) Prone - Thirteen shots in thirty minutes at a distance of 100 meters or yards on the B-17 or B-19 International Slowfire Pistol Target respectively. The ten high hits will count for score.
- (b) Standing - Thirteen shots in thirty minutes at a distance of 100 meters or yards on the B-17 or B-19 International Slowfire Pistol Target respectively. The ten high hits will count for score.
- (c) Standing - Thirteen shots in thirty minutes at a distance of 50 meters or yards on the B-17 or B-19 International Slowfire Pistol Target respectively. The ten high hits will count for score.
- (d) Sitting or Kneeling - Thirteen shots in thirty minutes at a distance of 50 meters or yards on the B-17 or B-19 International Slowfire Pistol Target respectively. The ten high hits will count for score.
- (e) Standing - Five or ten shots in thirty minutes, unlimited sighters within the time limits, 25, 50 or 100 yards on appropriate targets.

7.1.1 Percussion Rifle, Flintlock Rifle or Musket (USIMLC International) -

- (a) Prone - Thirteen shots in thirty minutes at a distance of 100 meters or yards on the B-17 or B-19 International Slowfire Pistol Target respectively. The ten high hits will count for score.
- (b) Standing - Thirteen shots in thirty minutes at a distance of 50 meters or yards on the B-17 or B-19 International Slowfire Pistol Target respectively. The ten high hits will count for score.

7.2 Percussion Pistol, Flintlock Pistol and Revolver (NRA Conventional) -

- (a) Standing - Ten shots in thirty minutes at a distance of 25 or 50 yards. Unlimited sighters within the time limits on appropriate targets.

7.2.1 Percussion Pistol, Smoothbore Flintlock or Matchlock Pistol and Revolver (USIMLC International) -

- (a) Standing - Thirteen shots in thirty minutes at a distance of 25 meters or yards on the B-17 or B-19 International Slowfire Pistol Target respectively. The ten high hits will count for score.

7.3 Smoothbore Flintlock and Matchlock Musket (NRA Conventional) -

- (a) Standing - Thirteen shots in thirty minutes at a distance of 50 meters or yards on the 200 Meter French Military Target. The ten high hits will count for score.
- (b) Sitting or Kneeling - Thirteen shots in thirty minutes at a distance of 50 meters or yards on the 200 Meter French Military Target. The ten high hits will count for score.
- (c) Standing - Ten shots in thirty minutes at a distance of 25 or 50 yards on appropriate targets. Unlimited sighters within the time limits.

7.3.1 Smoothbore Flintlock and Matchlock (USIMLC International) -

- (a) Standing - Thirteen shots in thirty minutes at a distance of 50 meters or yards on the 200 Meter French Military Target. The ten high hits will count for score.

- (b) Kneeling (Matchlock only) - Thirteen shots in thirty minutes at a distance of 50 meters or yards on the 200 Meter French Military Target. The ten high hits will count for score.

7.4 Shotgun (Flint or Percussion) -

- (a) NRA Conventional Flint or Percussion shotgun events may be held on ATA fields at 10, 16 or 20 yards using five stands - 10, 15 or 20 bird events are authorized. One or two shots may be taken from each station before moving until firing is complete.
- (b) Flintlock Shotgun (USIMLC) - Flintlock shotgun events will be 25 clay targets at 3 stands at 5 meters. One bird is fired from each station and the competitor moves to the next station until firing is complete. The 25th target is to be fired from the center stand. (See Rule 6.11 and diagram on inside back cover).
- (c) Percussion Shotgun (USIMC) - Percussion shotgun events will be 25 clay targets at 5 stands at 8 meters. One bird is fired from a station and the competitor moves to the next station until firing is complete. (See Rule 6.11 and diagram on inside back cover).

7.5 - Blank

8. TIME LIMITS

8.1 Computing Time - When rotating targets are used, time is taken for the period during which the target is fully exposed. On fixed target frames “**COMMENCE LOADING AND FIRING**” is signalled either verbally or by one sharp blast with a whistle. “**CEASE FIRING**” is signalled either verbally or by two sharp blasts with a whistle.

8.2 Time Allowances - Rifle, pistol, musket and matchlock events shall be fired in 30 minute relays. Shotgun events must be fired in a 60 minute time frame.

8.3 Team Time - Same as for individual matches.

8.4 Passage of Time - Time for firing of a string (within the official time limit) is the competitor’s responsibility. Range Officers will not voluntarily warn competitors of the passage of time. However, competitors and Team Captains in team matches may inquire of Range Officers as to the time remaining before expiration of time limit. Both the request for time and the response shall be given in a tone which will not disturb other competitors.

9. COMPETITION REGULATIONS

9.1 Changing Firearms - Unless otherwise provided in the program, no competitor will change his firearm during the firing of any single stage, multiple stage, or aggregate match unless it has become disabled and has been so designated by the Chief Range Officer. For the purpose of this Rule, the firing of a match is considered to have started when the competitor has fired his first record shot. Claim that a firearm is disabled must be made immediately. All shots fired up to the time that the claim is made will stand as part of the official score. (See Rule 10.9.)

9.1.1 Voluntarily Changing Firearms - If at any time a competitor wishes to change rifles, he may do so before the start of a stage or match. It is the responsibility of the competitor to notify his score keeper and a Range Officer that he has changed rifles. His scores for previously fired matches in the aggregate in which the rifle is changed will be disallowed in that aggregate. Previously fired individual match scores will stand, but will not be counted as a part of the aggregate score. That aggregate will be noted on the scoreboard and in the results bulletin as a “Disallowed Score, Rule 9.1.1”.

9.2 Fouling and Sighting Shots - Fouling and sighting shots are regulated by the tournament program and course of fire. When allowed, they will only be fired upon the command "Commence Loading and Firing." Unlimited fouling and sighting shots may be taken (within time limits) when a separate sighting target is provided. A sighting target/bullseye may be so designated by the tournament program and should be separated from record target(s)/bullseye(s) in a definite manner.

9.2.1 Misplaced Sighting Shots - Any sighting shot(s) striking the record area of the target shall be scored as a record shot(s).

9.3 - 9.4 - Blank

9.5 Disabled Firearm - A disabled firearm is one that:

- (a) cannot be safely aimed or fired;
- (b) has suffered damage so it cannot be fired or will not function properly;
- (c) has suffered the loss of a sight or damage to the sight.

The fact that sights are improperly adjusted does not constitute disablement. A gun once declared disabled by the Range Officer shall not again be used for competitive firing until the defect has been corrected and until the gun has been ruled as safe by the Chief Range Officer.

9.6 Malfunction - Any malfunction requiring assistance from a second party to resolve shall cause the termination of any further record shot being fired by the competitor during that event. Any necessary repairs to firearms during events shall be accomplished by the competitor only and must be completed during the time allowed for firing. Under no circumstances will the competitor be allowed to substitute a different firearm or be granted additional time to make repairs.

9.6.1 Removal of Malfunctioning Firearms - Any firearm which repeatedly malfunctions may be removed from the range at the discretion of the Range Officer, Referee, Match Director or Supervisor.

9.7 - Blank

9.8 Firearm Inspection - It is the competitor's responsibility to bring their firearms to the Firearms Control Jury at the designated times for inspection and approval prior to competing.

- (a) It shall also be the competitor's responsibility to provide proof to the Firearms Control Jury, if necessary, of correctness of the competitor's firearms.

9.9 Competitor's Position - Competitors will take their positions at the numbered firing points in such manner so as to not interfere with competitors on either side.

9.10 Coaching Prohibited in Individual Matches - Coaching is prohibited in all individual matches of an NRA Approved or Registered Tournament, except Women and Juniors may receive coaching from a single coach, on the firing point in such a manner so as not to interfere with competitors on either side. Coaching for all competitors is permitted during practice targets.

9.10.1 Spectators - Spectators must be at least 3 meters (10 feet) behind the loading tables and may not speak to competitors or help them in anyway.

- (a) Spectators may use spotting scopes but may not convey shot value or placement to the competitor in any manner.
- (b) Competitors who have received messages, signals or any other communication from a spectator may be disqualified as per the recommendation of the Jury.

9.11 Matches Not Completed - When a match is not completed by all competitors in accordance with the tournament schedule, the match or stage may be rescheduled or canceled. Any match or stage which has been completed by all competitors will not be refired. Only scores of a match or stage which has been completed will be included in an aggregate event or for National Record purposes, and a match or stage is not completed unless all competitors have fired.

9.12 - Blank

9.13 Interference - With the exception of competitors actually firing and such range personnel as may be necessary, the firing points and line will be kept clear of other persons during firing.

9.13.1 Interference with Targets - Competitors will not be permitted to interfere with the handling of targets by range personnel. Competitors shall not touch their targets after they have been fired until final score determination on the target has been made. Final score determination is not reached until all challenges have been settled.

9.14 Refiring - No competitor will fire more than one score for the same award except as provided in the program or in accordance with Rule 9.11.

Note: The above provisions do not restrict refiring as permitted under rules applying to excessive hits, the range procedure, etc.

9.15 - 9.22 - Blank

9.23 Aliases - No competitor may fire under an assumed name nor may he substitute for another in a match; register, enter, or fire in the name of another.

9.24 Score and Classification Falsification - No competitor will falsify his score or classification, nor that of any other competitor, nor be an accessory thereto.

9.25 Crossfires and Excessive Hits - No competitor will deliberately fire on the wrong target nor fire more than the required number of shots, including hits and misses, on some other competitor's target. (See Rule 14.10.)

9.26 Bribery - No person will offer, or be an accessory to, a bribe of any kind to any of the range or statistical personnel or others, nor be an accessory thereto.

9.27 Disorderly Conduct - Disorderly conduct or intoxication is strictly prohibited on the range and anyone guilty of same will be expelled from the range. Expelled competitors will be disqualified from the competition with forfeiture of all entry fees and awards.

9.27.1 Willful Destruction of Range Equipment - No competitor shall cause any range equipment to become damaged through a deliberate act, and anyone guilty of same will be expelled without a warning from the range. Expelled competitors will be disqualified from the competition with no return of entry fees.

9.28 Refusal to Obey - No person will refuse to obey instructions of the Match Director, Official Referee, Jury, Supervisor, Range Officers or any other officer of the tournament, if instructions are given in the proper conduct of the office.

9.29 Evasion of Rules - No competitor will evade nor attempt to evade nor be an accessory to the evasion of any of the conditions of a match as prescribed in the tournament program or in these Rules. Refusal of a competitor or tournament official to give testimony regarding facts known concerning violations or attempted violations of these Rules will constitute being an accessory to the violation or attempted violation.

9.30 Disqualification - The Official Referee, Jury, Supervisor or Match Director, upon proper presentation of evidence, may disqualify or order the expulsion of any competitor from the range for violations of rules or for other conduct considered discreditable or unsafe. Flagrant or safety violations will

result in the loss of all entry fees and awards at the discretion of the Jury. In the event of a disagreement between Match Officials, the decision of the Official Referee or Jury shall prevail at a match with recourse only to the NRA Protest Committee.

9.31 Suspension - For violations of these rules deemed so to justify, any competitor may be suspended and/or expelled from the National Rifle Association upon presentation of evidence and conduct of a hearing as prescribed in the Bylaws.

10. RANGE COMMANDS, CONTROL AND OPERATIONS

10.1 Discipline - The safety of competitors, range personnel and spectators requires everyone's continuous attention and self discipline to the careful handling of firearms both on and off the firing line and when moving about the range. Where such attention or self-discipline is lacking it is the duty of the range personnel to enforce discipline and it is the duty of competitors to assist in such enforcement.

Under no circumstance shall firing commence or continue on a range where an unsafe condition exists.

10.1.1 Shooting Rules -

- (a) Pan firings, caps and fouling shots are to be discharged within the firing time.
- (b) One fouling shot may be fired into the backstop if the Range Officer or Scorekeeper is duly notified prior to firing the shot.
- (c) Fouling shots must be fired within the allotted shooting time.
- (d) Blowing Down the Barrel: There will be no blowing down the barrel of any firearm at any time except via an offset "blow tube".
- (e) Loading incident - (Guns loaded without powder, 2 bullets, etc.) The competitor is to notify the Range Officer and be allowed to clear gun. The shot will not count against the number of shots in the match, but must be cleared within the allowed time.
- (f) If a relay is stopped due to inclement weather, range failure, intrusion or other hindrance, the relay will be resumed where it stopped and continued for the remaining time when stoppage is cleared.

10.1.2 Unloaded Firearms - Firearms will not be capped, primed or loaded until the command "**COMMENCE LOADING AND FIRING**" has been given. Firearms shall be capped and primed only when the shooter is on the firing line facing the target. All loaded chambers of a revolver must be capped prior to firing.

10.1.3 Loaded Firearms - A firearm that has a charge in the chamber, barrel or cylinder shall be considered loaded. All firearms are to be carried to and from the firing line with the muzzles in a vertical position. Once on the firing line, all loaded firearms shall be pointed in the direction of the targets at all times.

10.1.4 Cease Firing - Any person will immediately command "**CEASE FIRING**" if any incident occurs which indicates possible injury to some living thing should firing continue. In all other cases, the command will originate with the Chief Range Officer. (See Rule 10.7, 18.10.)

10.1.5 Not Ready - It is the duty of competitors to notify the Range Officer if not ready to fire at the time the Chief Range Officer asks "**IS THE LINE READY?**" Should the Chief Range Officer cause firing to proceed, the competitor concerned will be given an opportunity to fire his score in the earliest possible relay or by time extension in his relay. Failure of a competitor to notify the Range Officer that he is not ready forfeits his right to fire.

10.2 Loud Language - Loud or abusive language will not be permitted.

Competitors, scorers and Range Officers will limit their conversation directly behind the firing line to official business.

10.2.1 Smoking - There shall be absolutely no smoking of any tobacco product forward of the spectator area.

- (a) No flame, such as that from a carbide lamp, to blacken sights will be permitted in the loading area or on the firing line.

10.3 Delaying a Match - No competitor may delay the start of a match through tardiness in reporting or undue delay in preparing to fire.

10.3.1 Preparation Period - At the discretion of the Chief Range Officer, competitors will be allowed up to 15 minutes to take their places at their firing points and prepare to fire after the relay is called to the firing line. Dry firing will be permitted during this period. No caps will be fired or flash pans flashed during this time.

10.3.2 Interruption of Fire - When firing is interrupted by some occurrence which renders it impossible for one or more competitor to complete the match, the Chief Range Officer will precede as follows:

- (a) Time will be stopped and note made on remaining time.
- (b) Cause of termination of time to be remedied.
- (c) Remaining time allowed to continue. Any other fouling shots must be done in the remaining time.
- (d) It will be the decision of the Chief Range Officer to allow any other fouling shots.

10.4 Policing Range - It is the duty of competitors to police the firing points after the completion of each match or stage. The Range Officer will supervise such policing and see that the firing points are kept clean.

10.5 Competitors Will Score - Competitors will act as scorers when required to do so by the Match Director or Chief Range Officer, except that competitors will not score their own targets.

10.6 Repeating Commands - A Range Officer will repeat the Chief Range Officer's commands only when the commands cannot be clearly heard by competitors.

10.7 Firing Line Procedures and Commands - (In all cases in which the term "Chief Range Officer" is used, it shall be understood that the Chief Range Officer may designate another person to perform the task indicated, for the purposes of this Rule.) When ready to start a match, the Chief Range Officer commands, "**RELAY NO. 1 MATCH NO.__(or naming the match) ON THE FIRING LINE.**" Competitors take their places at their firing points. The Chief Range Officer states, "**THE PREPARATION PERIOD STARTS NOW.**" Range Officers check competitors as to correct relay and firing point numbers. At the end of the preparation period, which may, at the discretion of the Chief Range Officer, be as long as 15 minutes, the Chief Range Officer states, "**THE PREPARATION PERIOD HAS ENDED.**" (Rule 10.3.1)

After seeing that the range is clear and the competitors are ready, the Chief Range Officer proceeds with the firing commands:

"IS THE LINE READY?" Any competitor who is not ready, or whose target is not ready, will raise his arm and call "Not ready on target/station number__." A Range Officer investigates and either assists the competitor to correct the cause of the delay, or removes the competitor from the firing line so as not to delay the start of firing. A competitor's failure to make the prescribed "Not Ready" answer, forfeits his right to any alibi considerations.

Following the question, "**ISTHELINEREADY?"**, the Chief Range Officer will state, "**THE LINE IS READY**" or "**THE LINE IS NOT READY**", as appropriate. If the line is not ready, after appropriate time he will again ask,

“IS THE LINE READY?”, again followed by, **“THE LINE IS READY”** or **“THE LINE IS NOT READY.”**

After **“THE LINE IS READY”** has been stated, the Chief Range Officer gives the following sequence of preparatory commands, stopped only by sudden inability of the range to operate properly or by safety considerations: **“READY ON THE RIGHT,” “READY ON THE LEFT,”** and **“READY ON THE FIRING LINE.”** There should be approximately a 3 second interval between these commands.

“READY ON THE FIRING LINE” means the range is ready to operate and the targets are about to be exposed or the signal to commence loading and firing is about to be given.

“COMMENCE LOADING AND FIRING” will be signaled within 5 seconds (a) by moving targets fully into view, (b) verbally, or (c) by a sharp blast on a whistle.

“CEASE FIRING” will be signaled (a) by removing the targets from view, (b) verbally, or (c) by two sharp blasts on a whistle. All competitors will immediately cease firing and await further commands from the Chief Range Officer. Any competitor on the firing line who has a powder charge in their firearm will notify a Range Officer and upon the command **“DISCHARGE ALL LOADED FIREARMS INTO THE BACKSTOP”** will safely fire the loaded firearm into the backstop. After the cease firing command has been given, no shots may be fired into a record target. **“IS THE LINE CLEAR?”** This means all firearms on the line are unloaded. Upon receiving confirmation from the line officers that all firearms are clear, say **“THE LINE IS CLEAR. YOU MAY MOVE OUT OF POSITION. REMOVE YOUR EQUIPMENT FROM THE LINE AND POLICE YOUR FIRING POINT.”** (See Rule 10.1.4, 18.10.)

In the event of any emergency requiring a cease fire, a Range Officer may give the command **“CEASE FIRE”**. This command may be accompanied by moving the targets out of view, or by a blast on a whistle or other signaling device, or both. Competitors must cease firing immediately when the command **“CEASE FIRE”** is given, point the muzzles of their firearms in a safe upright position and await further commands from the Chief Range Officer.

“AS YOU WERE”, means to disregard the command just given (regardless of what it might have been) and return to the status immediately preceding the **“AS YOU WERE”** command.

“CARRY ON” means to proceed with whatever was being done before some interruption occurred. (See Rule 10.1.4, 18.10.)

10.7.1 Range Alibis - Refires are allowed through faulty or improper range procedure, such as:

- (a) Incorrect time allowances (Rule 8.2);
- (b) Incorrect range commands (failure of targets to appear within the specified time limit) - Rule 10.7
- (c) Any other condition of improper or faulty range procedures which penalizes competitors.

10.8 - Blank

10.9 Clearing Misfires - The Range Officer must be notified immediately and before the clearing, “breaching” or “pulling” of a bore, barrel, projectile or charge may be attempted. Extreme caution must be used, including reasonable care to inform, but not disturb, neighboring shooters during the clearing of misfires. All clearing of misfires must be performed in such a manner that there is no danger to persons or property. *“Use of a CO2 discharger is permitted.”*

11. TOURNAMENT OFFICIALS

***Tournament Officials** - Officials will be thoroughly familiar with conditions of the program and with National Rifle Association Rules. Officials may compete in Approved, Registered, State and Regional Tournaments. National Championship match officials may not compete.*

11.1 Match Director - The Match Director is directly responsible for the efficient conduct of the entire tournament. He may change match and firing conditions as shown by the program, provided a Match Director's Bulletin is posted for the information of all competitors, and that such changes are not contrary to current NRA rules. The Match Director is directly responsible for the efficient operation of the range and of the Statistical Office and for the safety and proper discipline of all tournament operating personnel, competitors and spectators. Instructions from the Match Director for the operation of the tournament will be complied with by all persons on the range. The Match Director will use the best judgement at all times and behavior and decisions must be characterized by absolute impartiality, firmness, courtesy and constant vigilance. In the application of these rules, the Match Director will confer with the NRA Official Referee or Jury on any doubtful point and will be guided by the Official Referee's or Jury's decision. The Match Director may disqualify a competitor(s) under provisions of Rule 9.30.

11.1.1 Deputy Match Director - The Deputy Match Director, when appointed, is responsible to the Match Director for the efficient conduct of the entire tournament and acts for the Match Director in all matters listed in Rule 11.1. A Deputy Match Director is appointed at the discretion of the sponsor.

11.2 Official Referee - An Official Referee may be assigned at all NRA Sanctioned State, Sectional, Regional and National Championships. Assignments are made from the Headquarters of the National Rifle Association. The NRA Official Referee is not an administrative or operating official and is not responsible for the behavior or efficiency of either range or statistical office personnel. It is the responsibility of the Referee to see that all National Rifle Association Rules are properly interpreted and applied. His decisions will be final in scoring of challenged targets except when scoring in the pit and at National Championships. He will not score except when called on to rule on challenges. It is the Referee's duty to rule on all protests and challenges. Except in an emergency involving the safety of personnel or property, the Referee will not give instruction directly to tournament operating personnel, but will give all such instructions through the Match Director. In the event of a disagreement between Match Officials, the Official Referee shall prevail at the match with recourse only to the NRA Protest Committee. The NRA Official Referee may not change the NRA rules as printed herein and as officially amended. It is the duty of the Referee to render a complete report to the National Rifle Association covering all phases of the tournament. The Referee may disqualify all or any portion of the score, if, in the Referee's opinion the conditions warrant such action. A report will be submitted on any Tournament Official who refuses to accept proper instructions given by the Official Referee. After full hearing is held by the Protest Committee on such a report the Association may:

- (a) Warn, suspend or bar anyone from serving or competing in NRA competition.
- (b) Warn, suspend or cancel the Certificate of the Official Referee.
- (c) Refuse to accept for registration or approval of any further tournament conducted on the same range or by the same organization until the unsatisfactory condition reported by the Official Referee has been corrected.

An Official Referee may not compete in any match fired in the conjunction with any tournament where he is officiating as the Official Referee.

11.2.1 Jury - In all Approved or Registered Tournaments where no Official Referee is assigned, a 3-member Jury will be formed by the Match Director to function as described in Rule 11.2. One member of the Jury must be a member of the sponsoring organization and complete the reports required by NRA.

The members of the Jury may or may not be competitors in that tournament. A Jury member shall be exempted from ruling on a matter in which they are personally involved. The Match Director will name a replacement for that Jury member while the Jury is ruling on that action. Under no circumstances may any Match Official (Rules 11.1, 11.1.1, 11.4, 11.5, 11.6, and 11.7) be a member of the Jury. The Jury Chairman may disqualify a competitor(s), as directed by the Jury, under provisions of Rule 9.30.

11.2.2 Firearms Control Jury - The Firearms Control Jury shall be appointed by the Match Director and will be comprised of 3 members. Their duties and responsibilities are to:

- (a) Perform inspections on all firearms to be used in the tournament prior to the start of any competition.
- (b) Identify and mark in a readily visible manner all firearms certified for competition.
- (c) Have available at the range instruments and gauges necessary to perform inspections.

Note: Recommended items: 1 micrometer, 1 bore light, 1 magnifying glass, 1 set of metric screws and specifications for firearms used in these events.

11.3 - Blank

11.4 Range Director - When appointed, the Range Director and Deputy Range Director are responsible to the Match Director, and have supervisory responsibility for the Chief Range Officers and for the efficient and safe operation of the ranges. Appointment of a Range Director and Deputy Range Director is authorized when multiple ranges are in operation.

11.4.1 Chief Range Officer - The Chief Range Officer will have full charge of the range and will conduct the matches on the schedule approved by the Match Director. He is responsible for range safety and for enforcing all rules.

11.5 Range Officers - Each Range Officer is an assistant to the Chief Range Officer. Competitors may be assigned this duty. The Range Officer is responsible for the safety and discipline of range personnel, competitors and spectators in the sector of the range to which assigned. The Range Officer shall supervise the scoring procedure and is responsible for seeing that the competitor's equipment and position are as authorized for the particular match being fired. It is the Range Officer's duty to be completely familiar with the program and with the National Rifle Association rules. The Range Officer is to comply to the best of his ability with all instructions issued by the Match Director or Chief Range Officer and will render all possible cooperation to other officials. He must be constantly alert, impartial in handling competitors and courteous though firm.

11.6 Statistical Officer - The Chief Statistical Officer is in charge of all statistical work in connection with the match except the actual recording of scores when this is done on the range. The Statistical Officer is directly responsible to the Match Director and is assisted by such Assistant Statistical Officers as may be required.

11.6.1 Duties of Office - It is the duty of the Statistical Office to:

- (a) Register competitors and check their eligibility and classification.
- (b) Accept match entries.
- (c) Prepare, post and keep current list of competitors showing name, competitor number and classification.
- (d) Squad competitors and prepare range assignment cards where such cards are used.
- (e) Prepare official scorecards.
- (f) Check addition on scorecards and correct totals.

- (g) Tabulate scores on order of merit.
- (h) Prepare Preliminary and Official Bulletins.
- (i) Maintain an Official Bulletin Board.
- (j) Determine winners and distribute awards.
- (k) Report to Match Director, NRA Official Referee, Jury Chairman or Supervisor for appropriate disciplinary action any irregularities in firing or scoring which may be indicated by squadding records or scorecards.
- (l) Make required reports to NRA within specified time.

11.6.2 Retention of Records - The Statistical Office will retain in good order all completed official scorecards for 30 days, and all fired targets (except those scored on frames) until the expiration of the time allowed for challenges and protests.

11.6.3 Preliminary Bulletins - Preliminary bulletins on all matches will be posted promptly on the Official Bulletin Board and remain a reasonable length of time to allow competitors to notify the Statistical Officer of apparent errors. The challenge closing time will be stated on each bulletin. However, where a bulletin board is used and all scores of competitors are copied thereon, such will be accepted in lieu of the above, provided a notice appears as to the close of challenge time.

11.6.4 Official Bulletins - Official Bulletins will be posted on the Official Bulletin Board. However, in the procedure outlined in Rule 11.6.3 for bulletin boards, such scores shall be acceptable and become final after the expiration of the challenge time period and shall act as an Official Bulletin.

11.6.5 Correction of Bulletin Errors - The Statistical Office will correct errors which come to the attention of the office prior to publication of the Official Bulletin.

11.6.6 Changing Official Bulletin - No Official Bulletin shall be changed except on authority of the Match Director, Official Referee, Jury or Supervisor granted before the time has expired for challenging the last of the preliminary bulletins required to cover all the scheduled events. Subsequent changes by the Match Director, Official Referee or Supervisor requesting change are limited to the correction of:

- (a) Typographical errors.
- (b) Aggregate bulletins on which total score does not agree with scores shown on the Official Bulletins for the matches comprising the aggregate.
- (c) Where an error has been made by not following the program schedule of awards.
- (d) Errors in classification of competitors, the competitor having been previously advised of such error and correct classification.
- (e) Disqualification of competitors as provided in Rule 9.30.

11.6.7 Individual Squadding - Where advance entries are received, squadding for all matches may be made in advance. Competitors may be squadded so they move a predetermined distance along the firing line after each match. They may be squadded as to class, but wherever practical, all of a class should fire on the same relay. Where post entries are received, they may be squadded as fill-ins to the above. Squadding of classes together will be permitted as outlined above.

11.6.8 Team Squadding - All team matches will be squadded with one or 2 adjacent targets assigned to each team, and where possible all teams will fire

concurrently. When enough targets are available, more than 2 adjacent targets may be assigned each team, but only when all teams can be squaddled so as to fire concurrently. Coaching within the team is permitted in team matches. Therefore, not more than 2 adjacent targets will be assigned each team unless all Team Captains indicate their willingness to use more than 2 targets.

Team targets may be assigned by the Statistical Officer or drawn by chance by the Team Captains under the supervision of the Statistical Officer or Chief Range Officer.

Team scorecards will show the names of the team, team officials and each firing member and alternate.

Except in matches where the targets have been marked with the competitor's name or number, a Team Captain may assign team members to team targets in such order as desired and may change the order of firing between stages.

11.6.9 - Blank

11.6.10 Range Assignment Cards - When used, range assignment cards are prepared by the Statistical Office and delivered to the Range Officers prior to each match. Range Officers will check competitors on the firing line to ascertain that each is on the proper firing point as indicated by the range assignment card. Should any reassignment of competitors be necessary on the firing line Range Officers will carefully note such reassignments in the space provided on the range assignment card. These cards will be turned in to the Statistical Office immediately upon the conclusion of each relay.

11.7 Target Officer - The targets and frames are under the command of the Chief Target Officer and such Assistant Target Officers as may be required. Target Officers are under the command of the Chief Range Officer. The Target Officer is responsible for the safety and discipline of personnel engaged in the handling of targets. The Target Officer is responsible for the maintenance of targets in proper operating condition and for efficient mounting and dismounting of paper targets during the progress of the match. When targets are framed by the competitor, it is the competitor's responsibility that the correct target for the range being fired is framed.

11.8 National Championship Protest Committee - A National Championship Protest Committee may be appointed by the Match Director of any NRA National Championship. When such a Championship Protest Committee is appointed, decisions on protests by that Committee at that Championship are final, without appeal to the NRA Protest Committee. When a possible case of suspension from competition arises from an incident or incidents in a Championship, the Championship Protest Committee may not act, but must forward a recommendation to the NRA Protest Committee for action. No member of the National Championship Protest Committee may be a competitor in that Tournament. (See Rule 16.2.1.)

Time frames for the submission of Protests listed in Rule 16.3(c), (d) and (e) may be modified during National Championships at the discretion of the Match Director, provided that notice is published either by means of the Championship Program, or by Match Director's Bulletin. (See Rule 16.2.1.)

11.9 Duty to Competitors - It shall be the duty of all operating officials and personnel to properly conduct themselves by being fair and impartial to all in carrying out their various duties. No official shall molest a competitor nor allow such practice by another official or other competitors. Should a competitor's equipment or demeanor warrant disqualification for an individual match or tournament, it should be done in such a manner as will cause the least inconvenience to all concerned. In so doing, the official should state to the competitor the rule or section of rules under which the disqualification is being made.

12. TEAM OFFICER'S DUTIES AND POSITION

12.1 Team Captain - Each team must have a designated Team Captain. He is responsible for maintaining discipline within the team squad. The Team Captain will at all times cooperate with the officials of the tournament in the interests of safety, efficiency and good sportsmanship. A Team Captain is responsible for all the duties of members of the team. It is the Team Captain's responsibility to:

- (a) Be familiar with the program.
- (b) Make proper entries.
- (c) Enter all required data on team scorecards.
- (d) Have team members report at proper firing points at the right time, ready to fire.
- (e) Check scores, sign scorecards and make challenges.
- (f) Check preliminary and Official Bulletin and Match Directors Bulletins.
- (g) Make protests.
- (h) Collect awards.

12.2 Team Coach - The Team Coach is the Team Captain's deputy performing such duties as the Captain may assign. The Coach serves as Team Captain in the absence of the latter, and under such circumstances becomes responsible for maintaining discipline within the team and for all other responsibilities of the Team Captain.

12.3 Team Entries - In team matches, the team officers, all firing members of the team and alternate firing members (if allowed by the match conditions and provided by the team) must be named on the entry form before the first shot of the match is fired. If the Team Captain or Coach is also a firing member, he must be so named. (See Rule 2.10.)

12.4 Substitution of Alternates - If alternates are allowed and have been listed on the entry form, the Team Captain may substitute an alternate for a firing member at any time before the firing member concerned has fired the first shot of the match (sighting or record), notifying the Scorer and a Range Officer accordingly. After a team member has fired his first shot he may be substituted for only in case of disabling emergencies such as accident or illness, and then only if approved by the Chief Range Officer. All shots fired by the replaced shooter count; the replacement fires only the uncompleted portion of the replaced shooter's course of fire.

12.5 Team Captain and Coach, Position - In team matches the Team Captain or Coach will be allowed on the firing line in such position as not to interfere with the proper operation of the range or with any member of another team.

13. PHYSICALLY DISABLED SHOOTERS

13.1 Physically Disabled Shooters - A shooter who because of a physical disability cannot fire from one or more of the prescribed shooting positions outlined in these rules, or who must use special equipment when firing is privileged to petition the NRA Protest Committee for permission to assume a special position or to use modified equipment, or both. The petition will be accompanied by pictures of the shooter in the position he desires approved and, if special equipment is required, the picture will show how this equipment is used. The petition and all pictures must be furnished in exact duplicate. The petition must be accompanied by a medical doctor's statement if the physical disability or its permanent nature are not completely evident in the picture submitted.

- (a) Each petition will be reviewed by the NRA Protest Committee. The committee may require additional or supplementary statements, medical information, or pictures. If approved, the NRA Secretary will issue a special authorization certificate to individual concerned. Such certificates will have necessary pictures attached.
- (b) Shooters who have received special authorization certificates will be required to carry them when competing in competition governed by NRA rules, and to present the certificate when requested by officials of the competition, NRA Official Referee or Supervisor.
- (c) In the event of a protest involving the position or the equipment used by such a shooter, the Official Referee, Jury or Supervisor will compare the questioned position or equipment with the certificate and the photographs presented by the shooter. If the shooter's position or equipment does not, in the opinion of the official, conform to that authorized by the NRA Secretary (or if the shooter has no authorized certificate or pictures), the protest shall be allowed and the shooter will be required to change immediately to the position or equipment which has been approved or to an otherwise legal position or equipment.
- (d) Should a protest be carried beyond the Official Referee, Jury or Supervisor, the original protest will be endorsed by the Referee, Jury Chairman or Supervisor to show the action taken and will be forwarded to the National Rifle Association.
- (e) National Records may not be established by use of scores fired in special positions or with special equipment as may be authorized according to this rule.
- (f) Two types of authorization are issued: temporary and permanent. Permanent authorizations are issued to competitors who are permanently disabled.
- (g) For MLAIC World Matches only: Shooters who are unable to assume the position required for a given event will not be allowed to fire in that event.

13.2 Temporary Disability: Substitute Position - Any person who has a temporary physical disability as substantiated by a current written medical opinion which prevents him from using a specified position as defined in this section, may assume the next more difficult position in lieu of that position. In this manner, kneeling may be used for prone, and standing may be used for kneeling. Any substitute position must conform to the rule which defines it. The Match Director must be informed of the substitute, and may require that the substitute position be demonstrated so he may be certain that it meets the definition of the appropriate rule.

14. SCORING AND MARKING

14.1 When to Score - Targets are scored after each course of fire is complete.

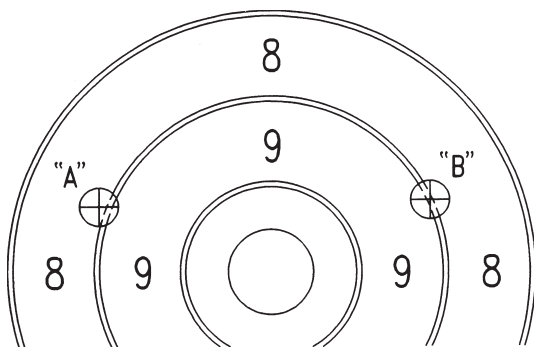
14.2 Where to Score - Targets may be scored on the target frames, at the firing line or in the Statistical Office. The scorer must be at the target when scoring. *Tournament sponsors may require that competitors shall not touch their own fired targets.*

14.2.1 Targets as Scorecards - Targets constitute the scorecard when scored in the Statistical Office and therefore must be retained in good order until the time allowed for filing challenges and protests has expired. (See Rule 9.13.1.)

14.3 How to Score -

- (a) The value of a shot is measured from the center of the bullet hole. The center of the bullet hole must fall on the scoring line or inside the scoring ring to count the higher value.

- (1) When the value of a hit can not be readily determined easily by the unaided eye, the fired target shall be placed directly over a clean target of like kind, and a scoring gauge overlay showing various ball diameters, each with a cross hair showing center of mass, will be used to determine the proper value of the hit. Any disagreement on the value of the hit must be taken to the Referee or Jury for final decision.



The correct method of scoring.

The shot marked "A" counts an eight,

the shot marked "B" counts a nine.

14.3.1 Authorized Use of Scoring Overlays - The use of scoring overlays will be restricted to use by range operating personnel who may include the Range Officers or Block Officers, Statistical Director, Match Director, Jury or Referee, as appropriate to the type of tournament concerned. The tournament program should state in match conditions by whom and under what circumstances scoring overlays may be used. For Zone and World Championships only overlays will be used for scoring.

14.4 Misses - Hits outside the scoring rings are scored as misses.

14.5 Early or Late Shots - When a shot is fired early or late, that is, before or after the signal to commence or cease fire, the hit will be scored a miss. When fewer than the required number of hits are visible on the target, the competitor shall be scored a miss for each shot not on the target, and those visible on the target will be scored in the normal manner.

14.7 Hits on Wrong Target or Bullseye -

Note: The term "target card" will be interpreted as applying to all record bullseyes framed at one time.

- (a) Hits on wrong bullseye (internal crossfire) - When more than the required number of shots are fired at one bullseye on the same target card, the competitor will be given the actual value of his score, minus a penalty of one point for each shot fired at the wrong bullseye.

Penalty points shall be deducted from the shot or shots of highest value on the bullseye bearing more than the required number of hits and shall thereafter be scored as the actual value of that shot. A 10-X or 10 so penalized becomes a 9.

- (b) Hits on wrong target (external crossfires) - Hits on targets other than your own will not be counted. The shooter is encouraged to inform the shooter who received the crossfire and the Range Officer.

14.8 Ricochets - A hole made by a ricochet bullet does not count as a hit and will be scored as a miss. It must be noted that a bullet which keyholes is not necessarily a ricochet.

14.9 Visible Hits and Close Groups - As a general rule, only those hits which are visible will be scored. An exception will be made in the case where the grouping of 3 or more shots is so close that it is possible for a required shot or shots to have gone through the enlarged hole without leaving a mark and there has been no evidence that a shot or shots have gone elsewhere than through the assigned target. In such case, the shooters will be given the benefit of the doubt and scored hits for the non-visible shots, on the assumption they passed through the enlarged hole. If such an assumption could place a non-visible hit in either of 2 scoring rings, it shall be scored in the higher-valued ring.

14.10 Excessive Hits - If more than the required number of hits appear on the target, any shot which can be identified by the appearance of the bullet hole as having been fired by some competitor, other than the competitor assigned to that target, or as having been fired in a previous string, will be pasted and will not be scored, except:

- (a) If a competitor fires fewer than the prescribed number of shots through the competitors own fault, and there should be more hits on the target than the shots fired, the competitor will be scored the number of shots of highest value equal to the number fired, and will be given a miss for each unfired shot.
- (b) If a competitor, by mistake, fires more than the required number of shots, the required number of hits of lowest value will be scored.

14.11 Scoring Altered Targets - Targets intentionally altered or marked to benefit a shooter over other competitors will not be scored.

14.12 Insufficient Hits - If a competitor fires fewer than the required number of shots through his own fault, he shall be given the score corresponding to the number of shots he fired, and scored a miss for each unfired shot.

14.13 - Blank

14.14 Scorer's Duties - When targets are scored after their removal from the target frames, they are removed by the target detail on the command "CHANGETARGETS" and given to the Statistical Office for official scoring.

14.15 - Blank

14.16 Erasures on Scorecards - Erasures on scorecards are not permitted. If a correction is necessary, it must be made and initialed by the Scorer or Range Officer. To make a correction, the Scorer or Range Officer draws a line, or lines, through the incorrect score and places the correct score above.

15. DECISION OF TIES

Note: All tie (same numerical score) ranking Rules shall be applied in the order listed below.

15.1 Match - The term "match" as used in this section refers to all individual, team, and aggregate matches.

15.2 Ties in Bulls-eye Matches - At any range or stage, ties will be ranked by applying the following steps, (a) to (d) inclusive, in the order listed below:

- (a) By the greatest number of 10's.
- (b) By the greatest number of 9's.
- (c) By the greatest number of 8's.

- (d) By the greatest number of 7's., etc. until the tie is broken.
- (e) If the tie is still not broken, using a-d above, then the shot farthest from the center shall lose the tie.

15.2.1 Ties in Bulls-eye Matches and Aggregates - With more than one distance.

- (a) By the greater score at the longest distance.
- (b) By the greater score at the next longer distance.
- (c) If the tie is not broken apply 15.2 a-3 at the longest distance then the next longest distance until the tie is broken.

15.2.2 Ties in Shotgun Matches - Ties in individual shotgun matches shall be broken in one of the following ways and must be so stated in the Match Program or agreed upon by all competitors before the match commences. If the aggregate is a combination of flintlock and caplock shotguns, it shall be the competitors' decision as to which firearm will be used.

- (a) Longest string count forward.
- (b) Longest string count backward.
- (c) Sudden death shoot-off with one bird being fired per station beginning with the left station.

15.3 - 15.8 - Blank

15.9 Team Matches - Ties in team matches will be ranked by considering the team score as though it were a single score fired by an individual. The same precedent applies as indicated above.

15.10 - Blank

15.11 Re-Entry Matches - In re-entry matches, ties will be ranked in the following order:

- (a) By considering as a unit the total score fired on all targets comprising the score for record as provided in the tournament program.
- (b) By outranking the competitor with the lowest score on any one target of those comprising the score for record.
- (c) If still a tie, by combining all awards to which those tied are entitled and dividing equally among those tied. Lots will be cast for merchandise, medals or other trophies.

15.12 Leagues - In League competition in which team standings are determined by the number of matches won and lost, ties will be decided by a shoot-off over the same course of fire as used during the League season.

15.13 Unbreakable Ties - In case a tie cannot be ranked under the provisions of the above rules of this section, the Match Director will direct that the tie be decided and awards given under one of the following plans as appears necessary or advisable:

- (a) By the firing of a complete or partial score under the original match conditions.
- (b) By the drawing of lots for merchandise, medals or trophy awards and combining any other awards to which those ties may be entitled, and making equal division of awards among those tied.

16. CHALLENGES AND PROTESTS

16.1 Challenges - When a competitor feels that a shot fired has been improperly evaluated or scored the scoring may be challenged. Such challenge must be made immediately upon announcement of the score. No challenge will be accepted after the target has been handled by the shooter or removed from the range.

- (a) A challenge fee not to exceed \$3.00 may be charged to all competitors making challenges. The challenge fee will be collected before making the first re-check of the challenged score. If the competitor's challenge is sustained at any point along the line of re-checks, the challenge fee will be returned. If the challenge is lost, the challenge fee will be included in the general revenue of the tournament. The decision of the Official Referee, Jury or Supervisor will be final in NRA competition.
- (b) When targets are scored on frames and the scoring of a shot is challenged, the Range Officer will immediately call the Official Referee or Supervisor, who will score the target. If necessary to avoid delaying the match, the challenged target will be replaced with a clean target and the match will proceed. The Official Referee, Jury or Supervisor will score the target as soon as possible and notify the competitor.
- (c) When targets are scored in the Statistical Office, the re-evaluation will be made by the Chief Statistical Officer (provided he has not previously scored or checked the target) and the Official Referee, Jury or Supervisor, in that order.
- (d) The Match Director may re-check any competitor's target by an administrative challenge. Such challenge must be made within the posted, challenge period and checked by the Referee. For further information on the Statistical Office operation, see Rules 11.6.1 through 11.6.8 inclusive.

16.2 Protests - A competitor may formally protest.

- (a) Any injustice which is felt has been done except the evaluation of a target, which may be challenged as outlined in Rule 16.1.
- (b) The conditions under which another competitor has been permitted to fire.
- (c) The equipment which another competitor has been permitted to use.

16.2.1 Authority of Protest Committees - National Championships protest committees or juries may be established at National Championships to rule on protests arising from activities at those sites. (See Rule 11.8.) However, the decisions of these special protest committees or juries shall not contravene prior interpretations of the NRA Rules and/or precedents established by the NRA Protest Committee. (See Rule 11.8.)

16.3 How to Protest - A protest must be initiated immediately upon the occurrence of the protested incident. Failure to comply with the following procedure will automatically void the protest:

- (a) State the complaint orally to the Chief Range (Chief Statistical) Officer. If not satisfied then;
- (b) State the complaint orally to the Official Referee or Jury Chairman. If not satisfied then;
- (c) File a formal protest in writing with the Official Referee or Jury Chairman stating all the facts in the case. Such written protest must be filed within 12 hours of the occurrence of the protested incident.
- (d) The Official Referee or Jury Chairman will then forward the protest with a complete statement of facts within 48 hours of receipt thereof to the Protest Committee at NRA Headquarters.

- (e) At the National Championships, a protest procedure must begin no later than one hour after the completion of firing for the day. In case of a protest involving awards, the protest must begin no later than one-half hour after the completion of the awards ceremony.

16.4 Challenges and Protests in Team Matches - All challenges and protests in Team Matches must be made by the Team Captain. Team members who believe they have reason to challenge or protest will state the facts to their Team Captain, who will make the official challenge or protest if it is felt such action to be justified.

17. NATIONAL RECORDS

NRA National Records shall be established only by American citizens who are NRA members or Junior members of NRA affiliated clubs. National Records can only be established in the United States and only during active tournament conditions in Registered tournaments in which the shooter is a duly registered competitor.

National Records may be established only when competition exist, i.e., more than one competitor or team in an event.

17.1 Where Scores for National Records Can Be Fired - Scores to be recognized as National Records must be fired in NRA Registered competition as defined in Rule 1.6, paragraphs (a) through (g). National Records must be approved by the NRA before being declared official. National Records may not be established during re-entry matches.

17.2 Scores to be Used - Scores must be complete scores for an entire scheduled match. Stage scores or scores for only part of a match will not be used for Records.

17.3 Scores for National Individual Records - Such scores must be fired in individual matches. No scores fired in a fired team match will be considered for recognition as an individual record.

17.4 Scores for National Team Records -Such scores will be the aggregate of the scores fired by the individual team members who represent an organization affiliated with the NRA, in team matches or over the courses of fire established in Rule 17.5, for four member teams representing NRA Clubs as provided in 2.11, or four member teams representing State Associations as provided in Rule 2.12, and must be fired in NRA Registered Tournaments. National Records will not be recognized for “pickup” teams.

17.5 Courses of Fire for which National Records are Recognized -

Note: National Muzzle Loading Rifle, Pistol and Shotgun Records are maintained for scores fired over the following courses for “Open”, “Woman”, “Veteran”, “Junior” and “Senior” categories fired on the targets indicated. In order for records to be recognized promptly, National Record Reporting forms must be submitted to NRA by the Statistical Officer of the tournament in which they were fired, after being certified by the Jury or Referee. National Record Reporting forms are mailed to sponsors of NRA Registered Tournaments by NRA Headquarters.

Scores fired with the following arms will be recognized as separate categories.

(a) International Style Courses of Fire

Percussion Rifle, Flintlock Rifle and Musket

	Range	Target	Total Shots	Course
(I)	100 m 100 yds.	B-17 B-19	13	10 shots, Prone

(2)	100 m 100 yds.	B-17 B-19	13	10 shots, Standing
(3)	50 m 50 yds.	B-17 B-19	13	10 shots, Standing
	Range	Target	Total Shots	Course
(4)	50 m 50 yds.	B-17 B-19	13	10 shots, Sitting or Kneeling

Percussion Pistol, Flintlock Pistol and Revolver

(5)	25 m 25 yds.	B-17 B-19	13	10 shots, Standing
(6)	50 m 50 yds.	B-17 B-19	13	10 shots, Standing

Smoothbore Flintlock and Matchlock

(7)	50 m 50 yds.	USIMLC #1 USIMLC #1	13	10 shots, Standing
(8)	50 m 50 yds.	USIMLC #1 USIMLC #1	13	10 shots, Sitting or Kneeling

Shotgun

- (9) 5 meter Clay 25 25 shots, Flintlock, 3 Stands
- (10) 8 meters Clay 25 25 shots, Percussion, 5 Stands
- (11) Aggregate of the courses of fire described in items (a), (b), (c), and (d).
- (12) Aggregate of the courses of fire described in items (e), and (f).
- (13) Aggregate of the courses of fire described in items (g), and (h).
- (14) Team Matches - Four person team matches fired over the courses described in items (i), (j), (k), (l), and (m).

(Note: MLAIC and USIMLC records are recognized for scores fired in tournaments outlined in Rule 1.6 (a) thru (c) over the courses of fire described in items (a), (c), (e), (g), (h - kneeling matchlock only), (i), and (j). For Team Match records, refer to MLAIC Regulations.

- (b) **NRA Conventional Courses of Fire**
All courses metallic sights unless otherwise stated.

Percussion Rifle, Flintlock Rifle (Traditional)

	Range	Target	Total Shots	Course
(1)	25 yds.	NMLRA 5.1	5	5 shots, Standing
(2)	50 yds.	A-23	5	5 shots, Standing
(3)	100 yds.	A-25	5	5 shots, Standing

Smoothbore Flint Musket

(4)	25 yds.	A-25	10	10 shots, Standing
(5)	50 yds.	NSSA #2	10	10 shots, Standing

Any Muzzleloading Rifle, Any Sights

(6)	25 yds.	NMLRA 5.1	10	10 shots, Standing
(7)	50 yds.	A-23	10	10 shots, Standing
(8)	100 yds.	A-25	10	10 shots, Standing

Civil War Rifle over 53 cal and Civil War Carbine

(9)	25 yds.	NMLRA 5.1	10	10 shots, Standing
(10)	50 yds.	A-23	10	10 shots, Standing
(11)	100 yds.	A-25	10	10 shots, Standing

Flint Pistol, Single Shot Percussion Pistol, Percussion Revolver

(12)	25 yds.	B-8	10	10 shots, Standing
(13)	50 yds.	B-6	10	10 shots, Standing

Bench Rifle

(14)	50 yds.	A-23	5	5 shots, Bench Rest
(15)	100 yds.	A-25	5	5 shots, Bench Rest

Slug Gun - Any Sights

(16)	100 yds.	A-23	5	5 shots, Bench Rest
(17)	100 yds.	NMLRA Slug	5	5 shots, Bench Rest
(18)	200 yds.	A-25	5	5 shots, Bench Rest

Cross Stick

(19)	50 yds.	A-23	5	5 shots, Crossed Sticks
(20)	100 yds.	A-25	5	5 shots, Crossed Sticks

17.6 Co-holder Records - Tie breaking Rules beyond the use of numerical scores including X count will not be employed when establishing National Records. Co-holder status will be accorded to individuals or teams when their score equals a National Record.

18. COMPETITORS' DUTIES AND RESPONSIBILITIES

18.1 Discipline - It is the duty of each competitor to sincerely cooperate with tournament officials in the effort to conduct a safe, efficient tournament. Competitors are expected to promptly call the attention of proper officials to any infraction of rules of safety or good sportsmanship. Failure of a competitor to cooperate in any case arising out of infractions of these rules may result in the said competitor being considered as an accessory to the offense. (See Rule 9.30.)

18.2 Knowledge of Program - It is the competitor's responsibility to be familiar with the program. Officials cannot be held responsible for a competitor's failure to obtain and familiarize himself with the program.

18.3 Eligibility - It is the competitor's duty to enter only those events for which eligible and to enter in the proper classification.

18.3.1 Competitors Will Score - Competitors will act as scorers when required to do so by the Match Director or Chief Range Officer, except that competitors will not score their own targets. If competitors are required to act as scorers, they are authorized to use scoring overlays.

18.4 Classification - It is the competitor's duty to have a current Classification Card in possession when using a classification system. Unclassified competitors must obtain a Score Record Book from the Official Referee, Supervisor or Tournament Officials.

18.5 Individual Entries - In individual matches, it is the duty of competitors to make their own entries on the forms and in the manner prescribed for that tournament. Errors due to illegibility or the improper filling out of forms are solely the competitor's responsibility. The Statistical Office is not required to accept corrections after the entry closing time.

18.6 Squadding Tickets - It is the competitor's duty to secure squadding tickets for each match (or to consult the squadding bulletin) in ample time to permit reporting at the proper time and place to fire each match. It is not the duty of officials to page competitors in order to get them on the firing line. Upon receipt of squadding tickets, competitors should inspect them for correctness of the competitor's number and non-interference in squadding assignments. Errors should be reported immediately to the Statistical Officer.

18.7 Reporting at Firing Point - Competitors must report at their assigned firing point immediately when the relay is called by the Range Officer. The proper equipment for that particular match must be ready and in safe firing condition. Time will not be allowed for repairs, sight blacking, sight adjustments or search for missing equipment after a relay has been called to the firing line.

18.8 Timing - Time for the firing of a string (within the official time limit) is the competitor's responsibility. Range Officers will not announce the time during the firing, but, if requested, will give the competitor information as to the remaining time.

18.9 Loading - No competitor will load except at the loading bench and after the command "COMMENCE LOADING AND FIRING" has been given by the Range Officer.

18.10 Cease Firing - All shooting will stop immediately upon the command "CEASE FIRING". Loaded guns in position on the firing line must be kept pointed toward the targets. The Range Officer must be notified of loaded guns. (See Rule 10.1.4, 10.7.)

18.11 Checking Scores and Signing Scorecards - In tournaments where scorecards are used, it is the duty of competitors to check the shot values and the total score on the scorecard and to sign their scorecard at the conclusion of each match. Competitors must promptly check the Preliminary bulletin board and call attention to errors within the time specified at the tournament. When scoring is done in the Statistical Office, competitors must promptly

read the Preliminary Bulletin and call the Statistical Office's attention to errors within the time limits specified at that tournament. Failures to check scores within the time limit results in the penalty of losing the privilege of any further challenge. Failure to sign a scorecard before leaving the firing line results in the loss of both the challenge and protest privilege. In Team Matches, the Team Captain must check and sign scorecards. (For procedures on challenges and protests, see Rule 16.)

18.12 Clearing the Firing Point - It is the competitor's duty to leave the firing point promptly at the conclusion of the relay. When leaving the firing point, guns must be unloaded, uncapped or unprimed.

18.13 Checking Bulletin Board - It is the duty of all individual competitors and Team Captains to check Bulletin Board between each match. The Statistical Officer must be immediately notified of apparent errors. Official Bulletins must be checked and the Statistical Officer notified of any discrepancies between the Preliminary and Official Bulletins. Match Director's Bulletins on the Bulletin Board have the same effect as conditions printed in the tournament program. It is the duty of competitors to familiarize themselves with all such Match Directors Bulletins.

18.14 - Blank

18.15 Responsibility - It shall be the competitor's responsibility:

- (a) That all equipment meets all rules and match specifications in any match in which that equipment is to be used.
- (b) That the competitor's position conforms to the rules.
- (c) That the competitor has full knowledge of the rules under which the match is fired.
- (d) That after due warning of any infraction of existing rules that the competitor shall understand that a repetition thereof shall be the subject of disqualification for that match or tournament.
- (e) That when targets are framed by the competitor, it is the competitor's responsibility to frame the correct target for the specific match and distance. (See Rule 14.7 (b).)
- (f) To insure that the target is not altered intentionally or with special marks which will be beneficial in any way. Shots fired on such targets will not be scored.
- (g) When targets are framed (mounted) by persons other than the competitors framing their own targets, competitors must be given the opportunity to observe their assigned target and verify it is clean and of the correct type before the "COMMENCE FIRE" command is given.

19. CLASSIFICATION

19.1 Classified Competitors - Are all individuals who are officially classified by the NRA for Muzzle Loading Competition, or who have a record of scores fired over courses of fire used for classification (Rule 19.4) which have been recorded in a Score Record Book.

19.2 Unclassified Competitor - Is a competitor who does not have a current NRA Muzzle Loading Classification, either regular or temporary, by Score Record Book (Rule 19.14). Such competitor shall compete in the Master Class.

19.3 - Blank

19.4 Matches Used for Individual Classification - Scores to be used for classification or re-classification will be those fired in NRA Sanctioned competitions of the type defined in Rule 1.6 subparagraphs (c) through (i) inclusive.

19.5 Courses of Fire Used for Muzzle Loading Rifle, Pistol and Shotgun - Scores fired in complete matches, regardless of the caliber of arm used, will be combined and averaged to establish a competitor's classification.

19.6 - Assigned Classification - A Competitor who has no NRA Black Powder classification, either regular or temporary by Score Record Book (Rule 19.14), but who has an NRA classification in one or more of the Smallbore, Pistol or International Rifle categories, will be given an "Assigned Classification" corresponding to his highest in those categories. This "Assigned Classification" will apply until superseded by a temporary or regular classification.

- (a) If a competitor has no NRA classification but has a classification from another National Black Powder organization (ASSRA, NMLRA, NSSA, etc.) it will be accepted for classification in the competitor's first tournament.

19.7 Lack of Classification Evidence - It is the competitor's responsibility to have a NRA Official Classification Card or Score Record Book with required scores for temporary classification (Rules 19.1 and 19.14) and to present this classification evidence when required. Any competitor who cannot present such evidence will fire in the Master Class. A competitor's classification will not change during a tournament. Competitors will enter a tournament under their correct classification and fire the entire tournament in that class. Should it be discovered during a tournament that a competitor has entered in a class lower than the current rating, the tournament records will be corrected to show the correct classification for the entire tournament.

19.8 Competing In a Higher Class - Any individual or team may elect, before firing, to compete in a higher classification than the one in which classified. Such individual or team must fire in such higher class throughout the tournament and may not revert to earned classification for any event in that tournament.

When there are sufficient entries in any class to warrant an award in that class according to the match program conditions, the individual or team concerned may be moved by the Tournament Match Director to a higher class provided this change is made prior to the individual or team concerned having commenced firing in the tournament.

19.9 Obsolete Classification and Scores - All classifications and scores (including temporary, Rule 19.14) except Master, shall become obsolete if the competitor does not fire in NRA competition at least once during 3 successive calendar years. Master classifications and scores shall become obsolete if the competitor does not fire in NRA competition at least once during 5 successive calendar years.

19.10 Appeals - Any competitor having reason to believe a classification is improper may file an appeal with the NRA stating all essential facts. Such appeal will be reviewed by the NRA Protest Committee.

19.11 Protests - Any person who believes that another competitor has been improperly classified may file protest with the NRA stating all essential facts. Such protests will be reviewed by the NRA Protest Committee. (See Rule 16.2.)

19.12 Team Classification - Team are classified by computing the "team average" based on the classification of each firing member of the team. To compute this "team average", the key in Table No. 1 for the different classes will be used and the team total divided by the number of firing members of the team. Any fractional figure in the team average of one half or more will place the team in the next higher class. The "team average" will establish classification of the team as a unit, but will not affect in any way the individual classification of team members.

TABLE NO. I - TEAM

CLASS	KEY
Master.....	4
Expert.....	3
Sharpshooter.....	2
Marksman.....	1

19.13 Reporting Scores - NRA Muzzle Loading competition (see Section 1) sponsors will report to the NRA all individual and fired team match scores fired over the courses stated in Rule 19.4. Scores fired in individual matches will be reported as aggregate totals and scores from fired team matches will be reported as a separate aggregate total. Scores from all tournaments and sanctioned leagues will be reported by each sponsor no more than 30 days after the completion of the tournament firing schedule.

- (a) All scores fired in pre-designated matches of sanctioned Muzzle Loading Team Tryout (MLTT) Tournaments (see Rule 1.6c) that meet the minimum qualifying score for that event shall also be reported to the Statistical Office of U. S. International Muzzle Loading Team to be used for consideration for final team tryouts and selection. (See Appendix D.)

19.14 Score Record Book - (Temporary Classification) - A competitor who does not have a regular NRA Muzzle Loading Rifle, Pistol, Smoothbore or Shotgun classification will obtain an NRA "Scores Record Book" from the Official Referee, Supervisor, or Tournament Statistical Office, or from the Secretary of a sanctioned league, in which he will enter all his Muzzle Loading Rifle, Pistol, Smoothbore or Shotgun scores fired in NRA sanctioned individual and team competition of the types defined in Rule 1.6 subparagraphs (a) through (i) inclusive. The total of all scores so recorded, divided by the number of 10-shot strings represented (in shotgun - number of birds hit will be divided by number of birds fired upon), will be the competitor's average for temporary classification in accordance with Rule 19.15. Scores from at least one complete tournament (Rule 1.1) or league match (1.6 (i)) are required in order to establish an initial temporary classification. The Score Record Book and any such temporary classifications are superseded when the competitor's regular classification becomes effective.

19.15 Individual Class Averages - Competitors classified or reclassified on the basis of scores fired under the conditions specified in Rule 19.4, reduced to 10 shot averages, those averages leading to classifications as shown in Table II below:

- (a) International (USIMLC) Averages

- (1) Rifle

Master.....	85.00 and above
Expert.....	80.00 to 84.99
Sharpshooter.....	75.00 to 79.99
Marksman.....	Below 75.00

- (2) Pistol

Master.....	87.00 and above
Expert.....	82.00 to 86.99
Sharpshooter.....	75.00 to 81.99
Marksman.....	Below 75.00

- (3) Smoothbore (Flintlock and Matchlock long arms):

Master.....	87.00 and above
Expert.....	77.00 to 86.99
Sharpshooter.....	71.00 to 76.99
Marksman.....	Below 71.00

- (4) Shotgun:

Master.....	80.00 and above
Expert.....	65.00 to 79.99
Sharpshooter.....	50.00 to 64.99
Marksman.....	Below 50.00

- (b) NRA Averages
 - (1) Rifle (percussion, flintlock and military long arms)
 - Master.....80.00 and Above
 - Expert70.00 to 79.99
 - Sharpshooter.....60.00 to 69.00
 - Marksman..... Below 60.00
 - (2) Pistol (percussion, flintlock and percussion revolver)
 - Master.....88.00 and Above
 - Expert83.00 to 87.99
 - Sharpshooter.....78.00 to 82.99
 - Marksman..... Below 78.00
 - (3) Smoothbore
 - Master.....87.00 and Above
 - Expert77.00 to 86.99
 - Sharpshooter.....71.00 to 76.99
 - Marksman..... Below 71.00

19.16 Establishing Classification - A competitor will be classified when his scores for not less than the following number of shots have been reported as prescribed in Rule 19.13:

- (a) 40 shots in rifled or smoothbore longarm events.
- (b) 60 shots in pistol events.
- (c) 75 shots in shotgun events.

Classifications will not include tournament or league scores until after all scores for the tournament or league concerned have been reported. The competitor will be sent an Official NRA Classification Card based on the average computed and according to the table in Rule 19.15, that will become effective on the date shown on the card issued by the NRA.

19.17 Reclassification - A competitor who has been classified by the NRA will be reclassified as follows:

- (a) NRA Headquarters will record all scores which qualify for classification purposes according to Rule 19.14.
- (b) A competitor will be considered for reclassification upward when his recent scores for not less than the following number of shots, fired subsequent to the tournament date at which he earned his current classification, have been recorded as prescribed in Rule 19.13:
 - (1) 80 shots in rifled or smoothbore longarm events.
 - (2) 120 shots in pistol events.
 - (3) 150 shots in shotgun events.

Such consideration will not include tournament or league scores until after all scores for the tournament or league competition concerned have been recorded. If his average score so justifies, he will be reclassified upward accordingly.

- (c) A competitor will be reclassified downward only upon a written request by him to the NRA, and only on the basis of not less than the following number of shots, fired subsequent to the effective date of his current classification, have been reported as prescribed in Rule 19.13:
 - (1) 240 shots in rifled or smoothbore longarm events.
 - (2) 180 shots in pistol events.

- (3) 225 shots in shotgun events.

Such consideration will not include tournament or league scores until after all scores for the tournament or league competition concerned have been recorded. If his average score so justifies, he will be reclassified downward accordingly.

- (d) If after reclassification downward, a competitor regains the classification thus vacated, he will not again be reclassified below the latter.
- (e) A reclassified competitor will be provided a new Classification Card showing the effective date.

20. NRA OFFICIAL REFEREE

20.1 Eligibility - Any individual, 21 years of age or older who fulfills the requirements currently in effect may be certified as an Official Referee.

20.2 Certification -

- (a) To be certified as an Official Referee, applicants must undertake such oral, written or practical examinations as the Association may require. The Board of Directors of the Association will be final judge as to the applicant's fitness for certification. Certification may be refused without stating a cause.
- (b) Certificates will remain in force for such periods as may be indicated on the face thereof. Certificates may be surrendered by the holder or canceled by the Association at any time without stating a cause.
- (c) Re-examination may be required at any time to determine the Official Referee's current ability to meet the requirements.
- (d) Official Referees may be authorized to serve with certain limitations specified in their authorization. Such limitations may be:
 - (1) For a limited time only, or
 - (2) For a special tournament or tournaments, or
 - (3) Within specified territorial boundaries, or
 - (4) For specified types of competition or classes of tournaments.
- (e) Insignia remains the property of the Association and must be returned at the termination of the Official Referee's certification.

20.3 Duties - General

- (a) It is the duty of the Official Referee at all times to keep informed of NRA bylaws, current competitive rules, and match administrative procedures. He must be equipped to act as a guide and counselor to every official at a tournament both on the range and in the Statistical Office.
- (b) He must be familiar with the various NRA qualification courses and with the National Classification Rules.
- (c) He must know the requirements for individual membership in the Association and the general requirements for club affiliation.
- (d) It is his duty to report to NRA National Headquarters any suggestion, criticism, incidents or trends which, in his opinion, should be considered by the Association in order to promote the best interest of shooting.
- (e) He must at all times and under all circumstances remember that his value as an Official Referee is in direct ratio to integrity, impartiality, broad knowledge of the game, courtesy, courage and sobriety. The

use of alcoholic beverages while on duty cannot be condoned, and its excessive use at any time will be sufficient cause for cancellation of the Official Referee's Certificate.

20.4 Duties - Before Tournament

Having accepted an assignment to serve, it is the duty of the Official Referee to:

- (a) Familiarize himself with the program.
- (b) Verify, by mail or in person, with the Match Director of the tournament that the range and statistical facilities are adequate and in good order and that ample range and statistical personnel have been employed or definitely arranged for.

20.5 Duties - During Tournament

- (a) Check the functioning of the Statistic Office when first opened to help establish proper registration and squadding procedures. Make sure the Statistical Office has arranged to verify each competitor's current classification before issuing competitors' first squadding tickets
- (b) Inspect target equipment and range personnel in company with the Match Director to insure that the range will function properly.
- (c) Consult with Match Director and arrange to have Official Bulletins posted immediately covering any changes or corrections which have been authorized.
- (d) Personally observe the scoring and bulletin methods used when targets for the first relay are being scored and call attention to any errors before an erroneous method becomes established.
- (e) Remain constantly alert for infractions of safety or competition rules by moving over the range behind the firing line from flank to flank observing the activities of Target Runners, Range Officers, Scorers, Statistical Clerks, and spectators, watching competitors handling firearms, and so forth.
- (f) Report immediately to the Match Director any errors in administration or infractions of rules by competitors or tournament operating personnel, requesting that they be corrected at once. If the matter is one requiring instant action, the Official Referee should direct whatever action is required and report actions and reasons therefore to the Match Director as soon as that official can be reached.
- (g) In tournaments when situations occur that are not specifically covered by an existing rule or rules, the Referee shall exercise good judgement in ruling for the best interest of the shooting sports and competitors.
- (h) Personally check with the Statistical Officer at the conclusion of the tournaments to make sure that all bulletins have been properly completed and awards issued as prescribed in accordance with the Tournament Program.
- (i) Forward to NRA Headquarters all reports that may be required, including copies of National Record Reporting Forms, protests, decisions, appeals, and all written statements bearing on the case.

20.6 Handling of Challenges and Protests - Challenges and protests will be handled in the manner provided for in these rules.

20.7 Assignment to Tournaments - Official Referees are assigned to tournaments by NRA Headquarters.

20.8 Official Referee as Competitor - No Official Referee may compete in any match fired in conjunction with any tournament where he is officiating.

20.9 Status of the NRA Official Referee -

- (a) The Official Referee will not give directions to the tournament operating personnel except through the Match Director. In all emergency cases involving the safety of personnel or property the Official Referee will act immediately and forcefully, taking full responsibility and reporting his action thereafter to the Match Director and to the National Rifle Association when making his tournament report. In the event of a disagreement between match officials, the Official Referee shall prevail at the match with recourse only to the Protest Committee.
- (b) The Official Referee is a representative of the National Rifle Association and is present at a tournament to interpret the rules and regulations for the benefit of both the tournament officials and the competitors. It is the Referee's duty to see that all such rules and regulations are properly and efficiently enforced. The Referee is not responsible for the actual administration and conduct of the tournament except to enforce the rules and regulations. It is the Referee's duty to make such suggestions and recommendations as are necessary to enable the tournament staff to operate in the most satisfactory manner.

20.10 NRA Official Jury - At any Registered Tournament where no Referee is assigned or at any Approved Tournament, the Match Sponsor shall appoint a Jury to be composed of persons who may or may not be competitors in the match, who are recognized as shooters and who are familiar with the NRA rules governing rifle matches. Tournament officials may not serve as members of the Jury. This Jury shall act on any protest or dispute concerning procedures, equipment or any other question which may arise during the tournament.

21. NRA COMPETITION PROGRAMS

Note: The tournament program must describe the conditions of the match, the positions, firearms, ammunition, targets, range and should cover all of the following points.

TOURNAMENT NAME:

Do not designate "State Championship" unless authorized by the State Association; "Sectional" or "Regional Championship" unless authorized by the NRA.

DATE(S):

Enter the date(s) of the tournament.

SPONSORING ORGANIZATION:

Name of Club or Association.

FOR INFORMATION CONCERNING TOURNAMENT WRITE TO:

Give name and complete address as you want it listed in **Coming Events** notice.

DIRECTIONS TO RANGE:

List directions clearly.

RULES:

The statement that "Current NRA Rules shall govern" should be in the program and will allow the most liberal conditions found in those Rules. State any additional rules required by conditions of the competition concerned.

COMPETITIONS OPEN TO:

Indicate eligibility requirements. See Rules 1.7 (c) and (e). Tournament sponsors may restrict competition to residents of certain areas; members of

certain groups; competitors in certain classification groups, etc., provided such restrictions is plainly stated in program.

REGISTRATION FEE:

List amount of tournament registration fee to be charged each competitor and what it entitles the competitor to (brassards, competitor number badge, etc. and a copy of the Official Bulletin).

ENTRIES:

List name and address of person to whom entries should be mailed.

POST ENTRIES:

Show that Post Entries will or will not be accepted, closing time and fee.

ENTRY LIMIT:

State number of entries that will be accepted.

FIRING STARTS:

State hour first relay of first match will begin each day.

CLASSIFICATION OF COMPETITORS:

See General Regulations. If NRA Classification System is not used or if classes are combined, list details.

AWARDS:

List schedule of awards for individual and team matches. Specify method, time and place of issuing awards.

MATCH SCHEDULE AND CONDITIONS:

Give complete details on course of fire, type of sights, rifle or pistol, caliber of firearm, etc.

GENERAL INFORMATION:

List eating facilities, housing facilities, etc.

APPENDIX

GENERAL REGULATIONS FOR NRA SANCTIONED TOURNAMENTS

Tournament sponsors must follow these Regulations as directed by Rule 1.4. They provide standard procedures required for the sanctioning of NRA Tournaments, establishing of fee structures, awards, reporting, cancellations, NRA membership requirements, and other items involved with NRA Sanctioned Tournaments, both Registered and Approved.

A. GENERAL REGULATIONS GOVERNING NRA APPROVED TOURNAMENTS

1. SANCTION OF NRA APPROVED TOURNAMENTS: To obtain approval of tournaments the following steps must be taken by the sponsoring organizations in advance of the tournament date.

- (a) Send NRA your completed application and draft copies of your completed programs, **BOTH IN DUPLICATE**, a minimum of 30 days in advance of tournament date.
- (b) If the above is not done, the NRA reserves the right to cancel its sanction of the tournament.
- (c) In order to be listed **once** in the "Coming Events" section of *Shooting*

Sports USA, your applications and programs must be sanctioned by the Competitions Division by the 15th of the month, two months before the month of issue. If you desire publicity in more than one issue (up to a maximum of 6 months), an additional month's notice must be allowed for each monthly listing.

2. GRANTING OF "APPROVED" SANCTION: As soon as the tournament is granted Approved sanction, one copy of the signed application, an Official Sanction Poster, and a corrected (if necessary) copy of the draft program will be returned to the sponsor. These items provide the authority to the sponsor to conduct the tournament. All changes and information provided in the approved draft program must appear in the final printed program. No major changes in courses of fire, number of matches, etc., may be made unless NRA is notified. This may be done in writing if time permits, or by including a copy of the Match Director's Bulletin which makes the changes with the final results of the tournament.

3. TOURNAMENT CANCELLATION: If a tournament is canceled, NRA must be notified immediately.

4. CLASSIFICATION OF COMPETITORS: The NRA Classification System may be used, but is not required.

5. COURSES OF FIRE IN APPROVED TOURNAMENTS FOR CLASSIFICATION: Courses of fire which may be used for classification are listed in Rule 19.4. It is not required that these specific courses of fire be used in Approved Tournaments, but, if the scores are to be used for classification, they must be used.

6. AWARDS: All awards are furnished by the sponsor. The minimum award schedule must include only the Tournament Winner, that person/team firing the highest score regardless of classification or category. The method, time and place of issuance of awards is at the option of the sponsor with due notice to the competitors in the Tournament Program.

7. ENTRY FEES:

- (a) NRA Registration Fee: A fee of **\$4.50** per competitor is charged by NRA for Approved Tournaments.
- (b) Sponsor Entry Fees: The amount of these fees is determined by the sponsor, and must be stated in the program separately from the NRA Registration Fee.

8. TOURNAMENT OFFICIALS AS COMPETITORS: Officials may compete in Approved Tournaments.

9. - Blank

10. NRA MEMBERSHIP: NRA membership is not required for participation in NRA Approved Tournaments. However, sponsors may elect to restrict those persons entering the tournament to NRA members only, if they wish to do so.

11. REPORTS TO NRA: The Match Director is responsible for making certain that the following reports are forwarded to NRA within 30 days of firing. (See Rule 19.13.)

- (a) A Score Reporting (SR-7ML) card for each competitor showing the total number of shots fired in individual matches and a total score; the total number of shots fired in Fired Team Matches, and the total score of fired team match(es). The NRA membership ID number must be indicated on the card for classified competitors and NRA members who are not yet classified. SR-7ML cards are available free of charge upon request in packs of 50.
- (b) A registration fee reporting form, and remittance of **\$4.50** per competitor.
- (c) A copy of any special Match Director's Bulletins.

B. GENERAL REGULATIONS GOVERNING NRA REGISTERED TOURNAMENTS

The following regulations are established to provide standard procedures for all Registered Tournaments except Regional, Sectional and National Championships. State Championships MUST be approved and recognized by the State Association (Rule 1.6).

1. SANCTION OF NRA REGISTERED TOURNAMENTS: To obtain approval of tournaments, the following steps must be taken by the sponsoring organization in advance of the tournament date.

- (a) Send your completed applications and draft copies of your copies of your completed programs, BOTH IN DUPLICATE, a minimum of 45 days in advance of tournament date.
- (b) If the above is not done, the NRA reserves the right to cancel its sanction of the tournament.
- (c) In order to be listed **once** in the “Coming Events” section of *Shooting Sports USA*, your application and programs must be sanctioned by the Competitions Division by the 15th of the month before the month of issue. If you desire publicity in more than one issue (up to a maximum of 6 months), an additional month’s notice must be allowed for each monthly listing.

2. GRANTING OF “REGISTERED” SANCTION: As soon as the tournament is granted Registered sanction, one copy of the signed application, program, and Official Sanction Poster, will be returned to the sponsor. In cases where a Referee is assigned, the Official Poster will be mailed after the Referee assignment is made, and the sponsor will be notified of the identity of the Referee at the same time. All changes and information provided in the approved draft program must appear in the final printed program. No major changes such as courses of fire, number of matches, etc., may be made unless NRA is notified. This may be done in writing if time permits, or by including a copy of the Match Director’s Bulletin which makes the changes with the final results of the tournament.

3. TOURNAMENT CANCELLATION: If a tournament is canceled, NRA must be notified immediately.

4. CLASSIFICATION OF COMPETITORS: A classification or category system must be used in Registered Tournaments. Sponsors may use an expanded classification system when large numbers of marksman or unclassified competitors are entered. (Samples available from Assistant Director’s Office, Education & Training.)

5. COURSES OF FIRE IN REGISTERED TOURNAMENTS, NATIONAL RECORDS AND CLASSIFICATION: National Records may be set only in Registered Tournaments using courses of fire specified in Rule 17.5. Courses of fire which are used for classification are specified in Rule 19.4.

6. AWARDS: All awards are furnished by the sponsor. In Registered Tournaments, the minimum award schedule must consist of the following:

- (a) *Individual Match Awards Required:*
 1. **Winner** in each individual fired match and in each aggregate, awarded to the competitor with the highest total score. Match winners may not receive a class award, but must be counted in with other members of that class to determine the number of class awards.
 2. **High Scoring Competitor** in each class in each match. Classes may be combined because of low entry, but the manner in which such combinations are made must be clearly stated in the program.
- (b) *Team Awards Required:* (if there are team matches in the program)
Winning team of each Team Match - the team firing highest total score in the match.

Note: The method, time and place of issuance of awards is at the option of the sponsor with due notice to the competitors in the Tournament Program.

7. ENTRY FEES:

- (a) NRA Registration Fee: A fee of **\$5.50** per competitor is charged by the NRA for Registered Tournaments.
- (b) Sponsor Entry Fees: The amount of these fees is determined by the sponsor, and must be stated in the program separately from the NRA Registration Fees.

8. TOURNAMENT OFFICIALS AS COMPETITORS: Officials may compete in Approved, Registered, State and Regional Tournaments. National Championship officials may not compete.

9. NRA REFEREE: An NRA Official Referee may be assigned to NRA Sectional, Regional or State Championships. When a Referee is not present the Match Director will appoint a 3-member Jury.

10. NRA MEMBERSHIP REQUIRED: NRA membership is required of all competitors in a Registered Tournament, except for Juniors, who may be either individual members of NRA, or members of an NRA affiliated organization. Sponsors must check NRA membership cards when issuing entry packets. Sponsors may accept NRA membership application and fees from non-members who wish to enter the tournament.

11. REPORTS TO NRA: The Match Director is responsible for making certain that the following reports are forwarded to NRA within 30 days of firing. (See Rule 19.13.)

- (a) A Score Reporting (SR-7ML) card for each competitor showing the total number of shots fired in individual matches and a total score, the total number of shots fired in fired team matches, and the total score of the fired team match(es). The NRA membership ID number must be indicated on each card. SR-7ML cards are available free of charge upon request in packs of 50.
- (b) A registration fee reporting form, and remittance of **\$5.50** per competitor.
- (c) A copy of any special Match Director's Bulletins.
- (d) A completed National Record Reporting form, even if no National Records were set.
- (e) Two complete sets of "Official Final Results Bulletin of Standings" for the tournament.

12. FINAL RESULTS BULLETIN: A copy of the official FINAL RESULTS BULLETIN must be sent to each competitor participating in the tournament **within 30 days**.

Note: The requirement to get the Final Results Bulletin to competitors within 30 days may be met by posting the results on an internet web site, provided competitors can download and/or print a paper copy. Sponsors who post electronic results will provide the competitors with the web site address and must provide a paper copy to competitors upon request.

C. NRA QUALIFICATION SHOOTING

Shooters always like some means by which they can measure their ability and progress. Whether the shooting is done at home, at the club range or in a tournament, there is greater satisfaction in achieving a previously set goal than just practicing. The NRA Muzzle Loading Firearms Qualification Program offers black powder shooters of all skill levels the chance to become more proficient and knowledgeable in muzzle loading rifle, musket, handgun and shotgun shooting. As shooters progress through the various skill levels of Pro-Marksman, Marksman, Sharpshooter, Expert and Distinguished Expert,

they become eligible to receive attractive awards which recognize their accomplishments.

For specific information on courses of fire, required scores, targets, and how to get started, contact the NRA Education and Training Division, 11250 Waples Mill Road, Fairfax, Virginia 22030.

D. INTERNATIONAL MUZZLE LOADING COMPETITION

The NRA Muzzle Loading Rifle, Pistol and Shotgun competition program is divided into two designations of competition; Conventional and International. Both types of muzzle loading competition use the same targets and similar courses of fire. Conventional competition is designed for the mainstream muzzle loading competitor and any safe muzzle loading firearm is allowed. International muzzle loading competition is based on the rules and regulations of the Muzzle Loading Association International Committee (MLAIC). The highest level of this competition program is membership on the U. S. Team and the privilege to represent the United States of America in competitions with other International muzzle loading teams.

Under the auspices of the U. S. International Muzzle Loading Committee (USIMLC), competitors are selected to represent the United States in Zone and World Championship matches every other year. In order to qualify for an invitation to the Final Team Tryouts, a competitor must fire a score that is at or above the minimum qualifying score in a particular discipline. This must be done three times over the course before an invitation to the team finals can be extended, and these scores can only be fired at a Registered Muzzle Loading Team Tryout (MLTT) under USIMLC match conditions.

Upon entering a MLTT, the competitor must inform the Match Officials that he is intending to fire a score for qualification. Special attention by the Match Officials will be given to all competitors firing MLTT courses of fire in order to insure that all USIMLC and MLAIC conditions and requirements are met. *(If, during an MLTT, match conditions arise that are not specifically covered under these rules, the Match Officials are to refer to the Muzzle Loaders Association International Committee (MLAIC) Regulations.)* Any scores that meet or exceed the minimum qualifying score will be forwarded by the Match Director, along with a \$3.00 per competitor MLTT fee, to the USIMLC Statistical Officer. Upon receipt of three qualifying scores, the competitor will receive an invitation to compete in the U. S. Team Final Tryouts at a time and place to be determined by the USIMLC.

The NRA Muzzle Loading Rifle, Pistol and Shotgun program acts as the support structure for NRA Muzzle Loading competition. It also acts as an avenue for holding Registered MLTT matches for U. S. Team consideration. The National Rifle Association in no way controls the selection and invitation process of the USIMLC. Any inquiries about qualifying scores fired and an individual's progress toward team consideration should be directed to the USIMLC Statistical Officer, 200 Clifford Drive, Vestal, NY 13850.

For more information on the United States International Muzzle Loading Committee and the U. S. Team, write to USIMLC, Donald Malson, Chairman, 76 Weldon Road, Lake Hopatcong, NJ 07849

GLOSSARY

Shooting, like other sports, has its own “language” - technical terms, slang and idioms. Many of the words and expressions used in these Official Regulations are defined as part of the Rules. The following “definitions” (or more properly “explanations”) are given for the benefit of the tyro to help him to a clear understanding of the Regulations.

Alibi - In this instance will mean any stoppage of firearm or malfunctions of range equipment.

Bulls-eye - An aiming point printed on a target card. The aiming point for shooting is usually circular and contains concentric numbered rings for scoring purposes.

Classification - The grouping of individuals by averaging a number of match scores. Classifications are designed to have individuals compete for awards against others of similar competitive skill levels.

Entry - The act of declaring intent to shoot in a match and paying required fee to proper official in accordance with the program for such match.

Home Range Matches - Same as Postal Matches.

Keyhole Shot - A bullet hole elongated beyond its normal diameter and caused by the bullet entering the target sideways or nearly so rather than point first.

Match - A complete event as indicated in the program for the issuance of certain specific awards. A match may consist of one or of several stages. It may, in the case of aggregate matches, include the scores fired in several subsidiary matches.

Post Entry - An entry made after regular entry closing time. Because of the extra work placed on Statistical Office as a result of late entries, an additional fee is charged, “Post Entry Fee”. Sometimes no post entries are accepted. “Post Entries” have no connection with “Postal Matches.”

Postal Match - A match which competitors fire on their home ranges using targets which have been marked for proper identification. Fired targets and/or scores are then exchanged by mail.

Sighting Shots - Shots fired at a target provided for that purpose and used to obtain desired information relative to adjustment of sights for the match which immediately follows.

Skid Shot - An elongated bullet hole of any length caused by a bullet entering the target while target is turning into or out of view.

Target - A surface, usually paper or tagboard, containing one or more aiming points which is frequently called a target card.

Target Butts - It might be said that “target butt” or “target pit” is a general term referring broadly to that end of the range which receives the bullets as compared to the other end of the range, broadly referred to as the “firing line”, which sends the bullets. A more specific application of “target butts” is applied to the parapet which protects the target markers and over which the targets are exposed for firing.

Tip Shot - A slightly elongated bullet hole in target caused by a bullet that had tipped over in flight and was not rotating truly on its longitudinal axis.

INDEX

<i>ITEM</i>	<i>RULE</i>
Aliases.....	9.23
Alibis, Range.....	10.7.1
All Shots Count.....	14.6
Alternates.....	12.4
Ammunition.....	3.17
Approved Tournaments.....	p. iii and 1.6(h)
Programs.....	21.
Refusal of.....	1.5
Rules.....	1.3
General Regulations.....	1.4, Appendix A
Artificial, Illumination.....	6.5
Support.....	5.2
Assignment to Tournament, Referee's.....	20.7
Authority of Protest Committees.....	16.2.1
Authorization.....	1.2
Refusal or Withdrawal of.....	1.5
Authorized NRA Events.....	1.0
Rules.....	1.3
Averages, Individual Classification.....	19.15
Breaking Ties.....	15.
Bulls-eye Matches.....	15.2
League.....	15.12
Re-Entry Matches.....	15.11
Shotgun Matches.....	15.2.1
Team Matches.....	15.9
Unbreakable.....	15.13
Bribery.....	9.26
Bulletin Board, Checking.....	18.13
Bulletin, Official.....	11.6.4
Changing.....	11.6.6
Correction of Errors.....	11.6.5
Notices.....	18.13
Match Director's.....	11.1, 18.13
Preliminary.....	11.6.3
Categories.....	2.1.2
Cease Firing.....	10.1.4, 18.10
Challenge.....	16.1, 20.6
Fee.....	16.1(a)
Changing Firearms.....	9.1, 9.1.1
Classification.....	19.
Appeals.....	19.10
Changing in a Tournament.....	19.7
Competitors.....	19.1
Competing in a Higher Class.....	19.8
Courses of Fire Used.....	19.5
Establishing.....	19.16
Falsification.....	9.24
Individual Averages.....	19.15
Lack of Evidence.....	19.7
Obsolete.....	19.9
Protests.....	19.11
Reclassification.....	19.17
Reporting Scores.....	19.13
Score Record Book.....	19.14
Scores Used for.....	19.4
Team.....	19.12
Temporary.....	19.14
Clearing Misfires.....	10.9
Coaching.....	
Prohibited in Individual Matches.....	9.10
Commands, Firing Line.....	10.7
Repeating.....	10.6
Competition, Types.....	1.6
League.....	1.6(i)
NRA.....	1.0

<i>ITEM</i>	<i>RULE</i>
Programs	21.
Team	2.10
Competitor	
Classification, Card Required	18.4
Classified	19.1
Discipline	10.1
Disqualification	9.30
Duty to	11.9
Eligibility	18.3
Individual Entries	18.5
Junior	2.3
Knowledge of Program	18.2
Physically Disabled	13.1
Position	9.9
Residence	2.20
Responsibility	18.
Senior	2.2.1
Suspension	9.31
Unclassified	19.2
Will Score	10.5, 18.3.1
Courses of Fire	
For Classification	19.5
For National Records	17.5
Pistol	7.2, 7.2.1
Rifle	7.1, 7.1.1
Shotgun	7.4, 7.5
Smoothbore Flintlock and Matchlock	7.3, 7.3.1
Cross Fires	9.25
Cross Sticks	3.15
Deputy Match Director	11.1.1
Destruction of Range Equipment	9.27.1
Disabled Competitors, Physically	13.
Discipline	10.1, 18.1
Disorderly Conduct	9.27
Disqualification	9.30
Distance, Firing	6.4
Ear Protection	3.20
Elbow Pads	3.12
Eligibility, Competitor	18.3
Referee	20.1
Entries, Individual	18.5
Equipment	3.
Accessories	3.7
General	3.18
Excessive Hits	9.25
Eye Protection	3.19
Firearms Control Jury	11.2.1
Firearms Inspection	9.8
Firing Line	6.1
Procedures and Commands	10.7
Firing Point	6.2
Clearing	18.12
Reporting at	18.7
Shelter	6.3
Firing Position	5.
Firing Under Protest	16.2.1
Fouling and Sighting Shots	9.2
General Regulations	1.4
Gloves	3.11
Ground Cloth	3.10
Ground, The	5.1
Hits Excessive	9.25, 14.10
Insufficient	14.12
Visible	14.9
Wrong Target	14.7
Illumination	6.5
Individual	
Classification Averages	19.15

<i>ITEM</i>	<i>RULE</i>
Classification, Matches Used For	19.4
Duties and Responsibilities	18.
Entries	18.5
Junior	2.3
Match Coaching	9.10
National Records, Scores for.....	17.3
Squadded Matches	1.7(g)
Squadding.....	11.6.7
Unsquadded Match.....	1.7(h)
Interference	9.13
With targets	9.13.1
International, Matches.....	1.6(a)
Team Tryouts.....	1.6(b)
Interruption of Fire.....	10.3.2
Jury.....	11.2.1
Kneeling Position	5.6
Knowledge of Program	18.2
Lack of Classification Evidence.....	19.7
Late Shots Scored	14.5
League, Competition.....	1.6(i)
Sanctioned	1.6(i)
Loading	18.9
Tables	6.8
Loud Language	10.2
Malfunction	9.6
Mat, Shooting.....	3.10
Match	15.1, 1.7(a)
Aggregate	1.7(l)
Classified	1.7(e)
Courses	7.
Delaying a	10.3
Deputy Match Director	11.1.1
Director	11.1
Invitational	1.7(f)
Muzzle Loading Team Tryout.....	1.6(c)
National Championship.....	1.6(d)
NRA Sanctioned	1.0
Not Complete	9.11
Open	1.7(c)
Postal	1.6(j)
Re-Entry	1.7(i)
Regional	1.6(e)
Registered.....	1.6(g)
Restricted.....	1.7(d)
Squadding Tickets	18.6
Stage	1.7(b)
State Championship	1.6(f)
Team, Squadded	1.7(j)
Team Squadding.....	11.6.8
Team Unsquadded	1.7(k)
Matchlock	3.3
Changing	9.1, 9.1.1
Disabled.....	9.5
Events.....	6.8.1
Loaded.....	10.1.3
Removal of Malfunctioning	9.6.1
Unloaded	10.1.2
Members, NRA	2.1
Foreign	2.1.1
Misses	14.4
Muskets	3.2(a)
Changing	9.1, 9.1.1
Disabled.....	9.5
Events.....	6.8.1
Loaded.....	10.1.3
Military.....	3.2(a)
Removal of Malfunctioning	9.6.1

<i>ITEM</i>	<i>RULE</i>
Unloaded	10.1.2
Muzzle Loading Team Tryout	1.6(c)
National Championship Matches	1.6(d)
National Championship Protest Committee.....	11.8
National Individual Record Scores	17.3
National Records.....	17.
Co-Holder.....	17.6
Courses of Fire For.....	17.5
Scores Used	17.2
Where Fired.....	17.1
National Individual Record Scores	17.3
National Team Record Scores	17.4
Not Ready	10.1.5
Offhand Position	5.8
Officers	
Chief Range.....	11.4
Director, Deputy Match.....	11.1.1
Director, Match	11.1
Range.....	11.5
Statistical	11.6
Target.....	11.7
Official Notices	18.13
Officials, Tournament.....	11.
Pad, Ground	3.10
Padding	3.12
Palm Rest	3.14
Pistol	3.1
Changing	9.1, 9.1.1
Disabled.....	9.5
Events.....	6.8.1
Loaded.....	10.1.3
Removal of Malfunctioning	9.6.1
Unloaded	10.1.2
Position	
Bench Rest	5.10
Competitors	9.9
Kneeling	5.6
Offhand	5.8
Prone	5.5
Sitting	5.7
Standing.....	5.8
Substitute.....	13.2
Team Captain and Coach	12.5
Postal Matches	1.6(j)
Preparation Period.....	10.3.1
Program	21.
Change to	11.1, 18.13
Knowledge of.....	18.2
Prone Position	5.5
Protests	16.2, 20.6
Authority of Protest Committees	16.2.1
How to.....	16.3
National Championship Protest Committee.....	11.8
Team Matches	16.4
Range	
Alibis	10.7.1
Assignment Cards	11.6.10
Policing	10.4
Safety Flag	6.9
Standards	6.
Willful Destruction of Equipment.....	9.27.1
Reclassification	19.17
Records, Retention of.....	11.6.2
Re-Entry Match	1.7(i)
Referee, NRA Official.....	11.2, 20.
As Competitor	20.8
Assigned to Tournament.....	20.7
Certification.....	20.2

<i>ITEM</i>	<i>RULE</i>
Duties, General.....	20.3
Before Tournament.....	20.4
During Tournament.....	20.5
Eligibility.....	20.1
Handling Challenges and Protests.....	20.6
Status.....	20.9
Refiring.....	9.14
Refusal to Obey.....	9.28
Regional Championships.....	1.6(e)
Registered Tournaments.....	p. iii and 1.6(g)
Programs.....	21.
Refusal of.....	1.5
Rules.....	1.3
General Regulations.....	1.4, Appendix B
Regulations, General, NRA Events.....	1.4
Reporting at Firing Point.....	18.7
Residence, Competitor's.....	2.20
Responsibility, Competitor's.....	18.15
Revolvers.....	3.1
Changing.....	9.1, 9.1.1
Disabled.....	9.5
Events.....	6.8.1
Loaded.....	10.1.3
Removal of Malfunctioning.....	9.6.1
Unloaded.....	10.1.2
Ricochets.....	14.8
Rifles.....	3.2
Changing.....	9.1, 9.1.1
Disabled.....	9.5
Events.....	6.8.1
Free.....	3.2(b)
Loaded.....	10.1.3
Military.....	3.2(a)
Removal of Malfunctioning.....	9.6.1
Unloaded.....	10.1.2
Rules, Evasion of.....	9.29
Shooting.....	10.1.1
Safety Shields.....	6.2.1
Score	
Checking.....	18.11
Erasures on.....	14.16
Falsification.....	9.24
Scorer's Duties.....	14.14
Scoring	
All Shots Count.....	14.6
Devices.....	14.3.1
Early Shots.....	14.5
Excessive Hits.....	14.10
Hits on Wrong Target.....	14.7
How to.....	14.3
Insufficient Hits.....	14.12
Late Shots.....	14.5
Misses.....	14.4
Overlays.....	14.3.1
Ricochets.....	14.8
Ties, Decision of.....	15.
Visible Hits and Close Groups.....	14.9
When to.....	14.1
Where to.....	14.2
Senior.....	2.2.1
Shooting Kits.....	3.9
Shooting Rules.....	10.1.1
Shotgun.....	3.4
Changing.....	9.1, 9.1.1
Disabled.....	9.5
Events.....	6.11
Loaded.....	10.1.3

<i>ITEM</i>	<i>RULE</i>
Removal of Malfunctioning	9.6.1
Unloaded	10.1.2
Shots, Early or Late.....	14.5
Sights.....	3.1, 3.2, 3.3, 3.7.1
Signing Scorecards.....	18.11
Sitting Position.....	5.7
Slings.....	3.13
Smoking	10.2.1
Spotting Scopes.....	3.8
Squadded	
Individual	11.6.7
Individual Match	1.7(f)
Team	11.6.8
Team Match.....	1.7(j)
Tickets	18.6
Stage.....	1.7(b)
Standing Position	5.8
State Association, Team	2.12
Championships	1.6(f)
Statistical Office Duties	11.6.1
Status of Referee	20.9
Supervisor	11.3
Suspension	9.31
Target	
As Scorecards	14.2.1
Frames	6.7
Illumination	6.5
Interference with	9.13.1
Numbers	6.6
Officers	11.7
Targets	4.1
Teams	
Affiliated Club.....	2.11
Captain	12.1
Captain's Station	12.5
Classification	19.12
Coach.....	12.2
Entries	12.3
Match Challenges	16.4
Match Protests	16.4
National Records	17.4
Other Organizations	2.11.1
Pickup.....	2.10
Squadded Match.....	1.7(j)
Squadding.....	11.6.8
State Association	2.12
Time	8.3
Tryouts, International	1.6(b)
Unsquadded Match.....	1.7(k)
Temporary Classification	19.14
Tickets, Squadding.....	18.6
Ties	
Breaking	15.
Bulls-eye Matches	15.4
League	15.12
Re-Entry Matches.....	15.11
Shotgun	15.2.1
Team Matches	15.9
Unbreakable	15.13
Time	
Allowance	8.2
Computing.....	8.1
Passage of.....	8.4
Team	8.3
Timing	18.8
Tournament	1.1, 1.6
Approved.....	1.6(h)

<i>ITEM</i>	<i>RULE</i>
Chief Range Officer	11.4
Deputy Match Director	11.1.1
Director, Match	11.1
Officials	11.
Range Officer	11.5
Referee	11.2, 20.
Registered	1.6(g)
Special	1.6(k)
State and Senior Games	1.6(l)
Statistical Officer	11.6
Supervisor	11.3
Target Officer	11.7
Unclassified Competitors	19.2
Unsquadded, Individual Match	1.7(h)
Team Match	1.7(k)
Wind Flags	6.9.1
Withdrawal of NRA Authorization	1.5

Notes

The best resource for competitive shooters.



HOW-TO ARTICLES
FIREARM REVIEWS
MATCH SCHEDULES

TOURNAMENT REPORTS, SCORES AND PHOTOS
COVERAGE FROM NATIONAL CHAMPIONSHIPS

Did we forget to say it's a
free monthly online magazine?
Sign up for *Shooting Sports USA* today.

SSUSA.ORG

NO OBLIGATION. CANCEL AT ANY TIME.